

OWNER'S MANUAL

US

CS

Seat for Permobil Powered Wheelchair

permobil

How to contact Permobil

Permobil Inc. USA

6961 Eastgate Blvd.
Lebanon, TN 37090
USA

Phone: 800-736-0925

Fax: 800-231-3256

Email: info@permobilusa.com

Head Office of the Permobil group

Permobil AB

Box 120, 861 23 Timrå, Sweden

Tel: +46 60 59 59 00. Fax: +46 60 57 52 50

E-mail: info@permobil.se



Seat for Permobil Powered Wheelchair

Contents

Important Information about the Owner's Manual	6
Technical Support	7
Spare Parts & Accessories	7
Scrapping	7
Warranty	7
Safety Instructions	8-15
CS-seat with legrest	16
CS-seat without legrest	34
Accessories.....	48
Technical specifications.....	49
Spare parts	50

Important Information about this Owner's Manual

We congratulate you on your choice of a product from Permobil. Our goal is for you to continue to feel satisfied with your choice of both vendor and product.

Before you begin using your seat and wheelchair, it is important that you read and understand the contents of these operating instructions and in particular the Safety Instructions.

These operating instructions are primarily intended to acquaint you with the functions and characteristics of the seat and how you can use them in the best manner possible. They also contain important safety and maintenance information, as well as describing possible problems that can arise during use.

Always keep these operating instructions handy in connection with your wheelchair, since the need for important information can arise concerning its use, safety and maintenance.

It is also possible to obtain information concerning our products from our home page on the Internet. You can find us at www.permobil.com.

All information, pictures, illustrations and specifications are based upon the product information that was available at the time that these operating instructions were printed. Pictures and illustrations that are found in these operating instructions are representative examples and are not intended to be exact depictions of the various parts of the seat.

We reserve the right to make changes to the product without prior notice.

Ordering of Documentation

If you are in need of another copy of the Owner's Manual, it can be ordered from Permobil, ask for item No. 205211-US-0.

TECHNICAL SUPPORT

In the event of technical problems, you should contact your dealer or Permobil Inc USA at 1-800-736-0925.

SPARE PARTS & ACCESSORIES

Spare parts and accessories must be ordered through your dealer.

SCRAPPING THE SEAT

Contact Permobil Inc. for information about scrapping agreements in force.

WARRANTY

A warranty registration card is attached to each new wheelchair. The Permobil Inc. Product Warranty Information sets forth the conditions of the warranty.

Contact your dealer or Permobil Inc USA for information about the warranty period for this seat and wheelchair.

Safety Instructions - General

The seat is heavy and contains many moving parts. Special care must therefore be taken when it is used. Please read and follow all instructions and warnings in this manual before operating your seat together with your Permobil powered wheelchair. Incorrect use may both injure the user and damage the seat and wheelchair. In order to reduce these risks, you should read the Owner's Manual carefully, in particular the safety instructions and their warning texts.

Throughout this manual the following symbol will be used to note items that have significant importance to safety concerns:



CAUTION

Please use caution where this symbol appears.



WARNING

Please use extreme caution where this warning symbol appears. Failure to observe warnings can lead to personal injury and property damage, including damage to the wheelchair.

Permobil is not responsible for personal injuries or property damage resulting from any person's failure to follow the warnings and instructions in this manual. Permobil is not responsible for injuries or damage resulting from failure to exercise good judgment.

The final selection and purchasing decision about the type of power wheelchair and seating system to be used is the responsibility of the wheelchair user and his or her healthcare professional. Permobil Inc. is not responsible for inappropriate selections of wheelchair models and seating system or features or improper fitting of the wheelchair and seat.

Safety Instructions - General

Your wheelchair and seat was configured specifically for your needs as prescribed by your healthcare provider. Consult your healthcare provider before changing the seat position or making any other adjustment. Some adjustments may reduce your wheelchair's performance or safety or may not be appropriate for your needs.

It is also of the utmost importance that you devote sufficient time to become acquainted with the different buttons, the function and steering controls, the different adjustment possibilities of the seat, etc. of your wheelchair and its accessories before you begin using it.

Do not undertake your own first test drive without making sure that you have assistance in the immediate vicinity if you should need help.

In order to make sure that nothing happened to the wheelchair while it was being shipped to you, you should check the following items before beginning to use it:

- that all products ordered are included in the delivery, including operating instructions and possible other documentation. If you suspect that something is missing, then contact your supplier or Permobil for more information as soon as possible.
- that no transport-related or other damages have occurred to the wheelchair, seat and its accessories. If you discover that something has been damaged or in some other manner appears to be incorrect, then contact your supplier or Permobil for more information as soon as possible before you continue the checks.

Safety Instructions



WARNING

Damage to the seat

It is most important that Permobil should be notified as soon as possible if the seat or its accessories have been damaged during transport, or damaged in any other way while running. There is a risk that the seat and its accessories can no longer be used safely, and may cause injury to the user.

Driving with Seat Lift/Seat Tilt

Make sure that no people are in the way of the seat when its functions are activated.

Be careful in making sure that nothing gets stuck between the chassis and the seat when the seat lift/seat tilt is operated. An elevated seat lift raises the center of gravity and increases the risk of tipping over. Always drive in low speed and only use the seat lift when driving on level ground and not on hills, ramps, slopes or other inclines. Using the seat lift while driving on inclines can lead to personal injury and property damage, including damage to the wheelchair.

Center of Balance

The possibility of this wheelchair tipping and the point where this wheelchair will tip forward, back or to the side depends on its center of balance. Please note that the following factors can affect the wheelchair's center of balance:

- Elevation of the seat
- Height and angle of the seat
- Body position or weight distribution
- Driving on an incline such as a ramp or a hill
- Use of a backpack or other accessories, depending on the amount of weight added.

If your wheelchair begins to move in an unexpected manner, immediately release the joystick to stop the wheelchair. Except in an emergency, do NOT use the on/off button to stop your wheelchair. This will cause the wheelchair to stop abruptly and may cause personal injury.

Safety Instructions



WARNING

Positioning Belt

Permobil recommends that the user use the positioning belt while operating the wheelchair. Permobil also refers the user to the warnings regarding the use of positioning belts while riding in a motor vehicle on page 13.

Transfer into and out of the chair

Be sure that the power is turned OFF before entering or leaving the wheelchair and before lifting the control side armrest.

When transferring into or out of the wheelchair, every precaution should be taken to reduce the distance between the wheelchair and the place to which the user is transferring. Overextending this distance can cause user to overexert, lose balance, or fall.

Permobil recommends that users transfer in the presence of or with the assistance of an attendant.

Use caution when bending or reaching.

Never use the joystick as a handhold or point of support.

Do not use foot plates or armrests as supports when transferring into or out of the wheelchair. The footplates and armrests are not designed to be weight-bearing structures. Excessive force may cause them to give way, resulting in personal injury or property damage, including damage to the wheelchair.

Safety Instructions



WARNING

Passengers

The wheelchair is not intended to transport passengers, regardless of the age of the passenger. The Maximum User Weight stated in this manual includes the user and any personal effects. The Maximum limit should not be exceeded. The wheelchair's maneuverability and stability can be degraded as a result.

Environmental Conditions

Protect your seat and wheelchair from exposure to any type of moisture, including rain, snow, or wash. Exposure to moisture can cause the chair to short-circuit, catch fire and cause personal injury or property damage. Do not operate your wheelchair if it has been exposed to moisture until it has dried completely.

If any of the shrouds or the joystick boot has cracks or tears, they must be replaced immediately. Failure to do so can allow moisture to enter the electronics and cause personal injury or property damage, including fire.

NOTE: *Extreme care should be exercised when using oxygen in close proximity to electric circuits and other combustible materials. Contact your oxygen supplier for instruction in use of oxygen.*

Safety Instructions



WARNING

Transport

The wheelchair must be transported in or with transport solutions that have been approved for this purpose.

Check that the wheelchair is properly secured and that the wheel locks are not disengaged. The wheelchair can be locked into position by running fastening straps through the brackets at the front and back. Also check that the fastening points on the transport vehicle are well-anchored.

A defectively fastened chair can cause serious injury to persons in the vehicle and serious damage to the vehicle.

Use Prohibited in Motor Vehicles

Permobil recommends that users NOT be transported in any kind of vehicle while in their wheelchair, unless the user is in an approved Permobil wheelchair configuration and has secured the wheelchair using a Permlock C. A user may ride in a Permobil C400 or C500 of appropriate configuration, in a motor vehicle, when properly secured by both a Permlock C wheelchair lockdown system AND a crash tested lap and shoulder belt which is secured to the motor vehicle. A "crash tested lap belt" does NOT include the positioning belt attached to your wheelchair. The wheelchair belt is designed to position the user in the wheelchair during ordinary use. It is not designed to protect the user against injury while riding in the wheelchair in a vehicle. Users who pursue riding in or driving vehicles in their wheelchairs assume a great risk. We urge them to give careful consideration to this pursuit.

The other safe alternative is that users be transferred into factory vehicle seating for transportation and use safety restraints made available by the auto industry. The only wheelchair transportation system Permobil recommends is a Permlock C used in combination with an approved Permobil wheelchair.

Never sit in your wheelchair while in a moving vehicle. In an accident or sudden stop you may be thrown from the chair and seriously injured or killed.

Permobil positioning belts are designed to position the user only and will not protect you in an a motor vehicle accident. You may even receive further injury from the belts.

Safety Instructions



WARNING

Maintenance and Service

Carry out only the service and maintenance which are stated in this Owner's Manual. All other service and maintenance must be performed by a qualified service technician authorized by Permobil to perform such service on Permobil products

During all work on the electrical system of the wheelchair, the connections to the poles of the battery must always be removed, or if equipped, the circuit breaker must be set to the "Off" position. To avoid the risk of electric shock, use extreme caution when using metal objects while working on the batteries. Short-circuiting can easily cause an explosion. Never perform service on the wheelchair without using protective gloves and goggles. Failure to do so can lead to personal injury.

Do not use parts or accessories not authorized by Permobil. Use of unapproved "aftermarket" accessories and parts may cause changes in the wheelchair, which may make the wheelchair unstable or uncontrollable. Such use may also void the warranty on the wheelchair.

Connecting any unapproved electrical or electronic devices to the wheelchair's electrical system can cause damage to the chair and cause the chair to become uncontrollable or drive erratically. Such use may also void the warranty.

The wheelchair and seat is heavy and contains many moving parts, which means that the risk of being caught between them is always present.

Safety Instructions



WARNING

Storage

The wheelchair and its accessories must always be shut off when they are not being used. Always store the wheelchair so that access for unauthorized individuals is avoided.

Never store the wheelchair in a room in which condensation can arise (mist or dampness on the surfaces) e.g. in pool areas, laundry rooms, or similar rooms.

If you are unsure as to how your wheelchair and its accessories should be properly stored, contact your supplier or Permobil for more information.

Damages/malfunctions on the wheelchair and its accessories

If you experience that the seat or wheelchair in any manner is not behaving as expected or if you suspect that something is wrong: Stop driving as soon as possible, shut off the wheelchair and contact your service contact or Permobil for more information.

It's also of greatest importance that Permobil be informed if the wheelchair and its accessories have been subjected to transport damages, damages during driving or damages due to another cause as soon as possible after the event. There exists a risk that the wheelchair and its accessories can no longer be used in a safe and secure manner.

CS

With Legrest



Contents

Design and function	18
General	18
Seat functions	19
General	19
Seat functions and adjustments	20
Backrest recline	20
Maximum Backrest recline	21
Legrest angle	22
Legrest length	23
Foot plates	24
Armrests	25
Positioning Belt	28
Headrest	30
Control Panel Bracket	31
Transport	32
Finishes Care and Maintenance	33

Design and function

General

The CS seat is a manually adjustable seat which with a few simple operations can be adapted to your wishes and requirements.

The seat may be fixed or fitted with a seat lift, and may have a headrest.

General view, CS seat



Seat functions

General

Electric Seat Lift (Accessories)

The electric seat lift is operated by the electric actuator, adjusted from the wheelchair control panel or the seat control panel, normally placed next to the control panel. More information about the control panel will be found in the chassis owner's manual.

Manual seat functions/adjustment

Backrest, armrest, legrest, foot plates, control panel and headrest (accessories) can be manually adjusted and regulated.



Manual adjustment of the Legrest.

Manual seat functions

Backrest recline

The tilt angle of the Backrest can be manually regulated.



CAUTION

When the backrest joint is released, the backrest is pressed forwards by an integral spring.

1. If you are beside the seat, take firm hold of the backrest. If you are in the seat, lean back carefully.
2. Release the backrest joint by pulling the release lever upwards. The back rest is pressed forwards by an integral spring.
3. Move the backrest to the desired angle.
4. The backrest joint is locked when you let go of the release lever.



The angle of the Backrest can be adjusted when the Backrest joint's release lever is pulled upwards.

Maximum Backrest recline

The maximum backrest recline is 120°.



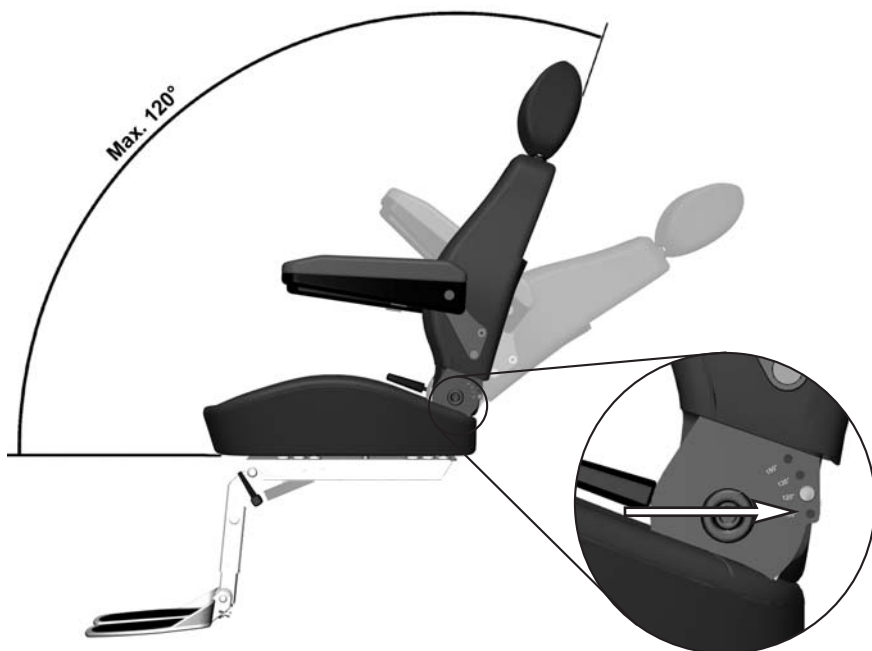
WARNING

The lock that limits the maximum backrest recline to 120° must not be removed. Greater backrest recline will move the center of gravity, which affects the stability of the wheelchair and makes the wheelchair more difficult to maneuver.

Set the maximum backrest recline to 105°

If needed, the maximum backrest recline can be set to 105°.

1. Mount a screw with nut in the hole marked 105°, see figure below.



The maximum backrest recline is set to 120°. If needed, the maximum backrest recline can be set to 105° with a screw and nut.

Legrest angle

The angle of the legrest can be adjusted manually.

1. Loosen the handle by turning it counterclockwise.
2. Adjust the legrest to the desired angle and lock it by tightening the handle clockwise.
3. After adjustment, check that the legrest is firmly located in the desired position.
4. Make sure the handle points upwards.



WARNING

Do not put weight on the legrest while adjusting its angle, as doing so could cause injury to the user or damage to the wheelchair.



WARNING

After adjustment, make sure the handle points upwards, if not, the wheelchair chassis could get damaged.

Legrest length

The length of the legrest is adjustable.

1. Loosen the screws on the two sides of the legrest using two Allen keys.
2. Adjust the legrest to the desired length and tighten the screws.
3. After adjustment, check that the legrest is firmly located in the desired position.



The length adjustment of the Legrest is locked with a bolted joint.



WARNING

Do not put weight on the legrest while adjusting its length.

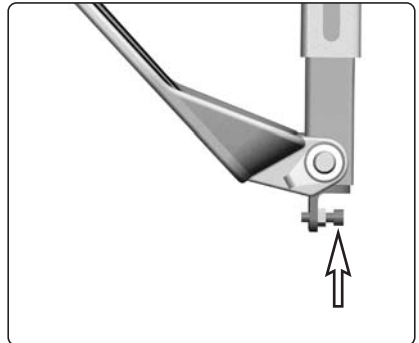
Foot Plates

The foot plate angle can be regulated by the adjusting screws placed under each foot plate. The adjusting screws can be fitted in two ways. On the frontside of the legrest, which makes it possible to adjust the foot plates upwards. On the backside of the legrest, which makes it possible to adjust the foot plates downwards.

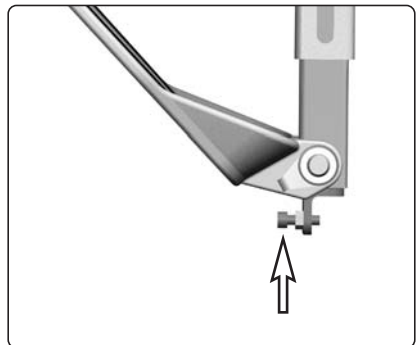
1. Tip the foot plates upwards.
2. Loosen the locking nuts.
3. Adjust to the desired angle by screwing the adjusting screws in/out and then checking by folding the foot plates down for a moment. If needed, remove the adjusting screw and locking nut and refit from the other side.
4. Lock the stop screws with the locking nuts.



Foot Plates tipped up



Adjusting screws fitted on the back of the Legrest.



Adjusting screws fitted on the front of the Legrest.

Armrests

The angle of both armrests can be adjusted for optimum comfort.

With no load on the armrest, adjust its angle by turning the adjusting roller underneath the armrest.



CAUTION

Do not subject the armrests to load when adjusting them.



Adjusting the angle of the Armrest.



The adjusting roller is underneath the Armrest.

Adjusting the Armrest height

(Accessories, Order no: 1820536)

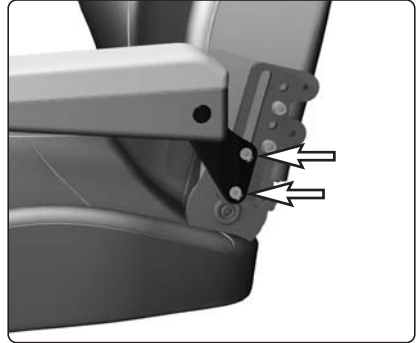
The armrest height can be adjusted.

1. Loosen the two screws holding the armrest, see Fig.
2. Adjust the armrest for optimum comfort.
3. Lock the armrest on desired height with the two screws.



CAUTION

Do not subject the armrests to load when adjusting them.



The armrest is fitted with two screws.

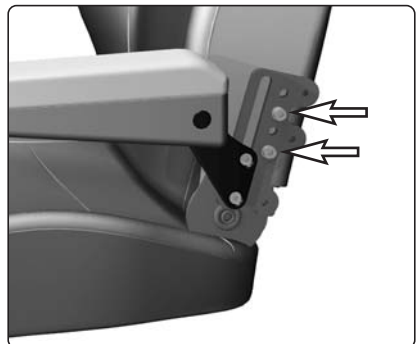
If this adjustment isn't enough, the armrest bracket can be fitted in a alternative position, see below.

Fit the armrest bracket in a alternative position

To get more adjustment, the armrest brackets can be fitted in a alternative position.

1. Loosen the two screws holding the armrest bracket, see Fig.
2. Refit the armrest bracket in the position that suits the user best.

If this adjustment isn't enough, the armrest joint can be turned.

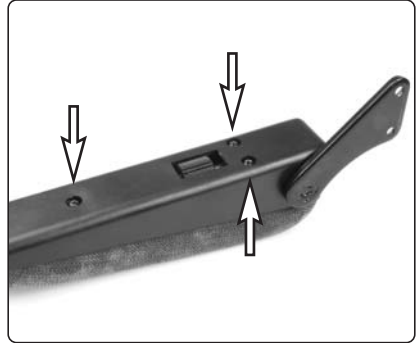


The armrest bracket is fitted with two screws.

Turn the armrest joint

To be able to lower the armrests further, the armrest joints can be turned. Left armrest will be fitted on the right side and right armrest will be fitted on the left.

1. Remove the armrest, it's fitted with two screws, see fig. on previous page.
2. Remove the armrest cushion, it's fitted with three screws, see fig.
3. Remove the screw that holds the armrest joint in place, see fig.
4. Remove the armrest joint by pulling it straight out.
5. Refit the armrest joint from the other side of the armrest.
6. Refit the screw that holds the armrest joint in place., see fig. Screw it in until it's top is level with the surface of the joint.



the armrest cushion is fitted with three screws..



The screw holds the armrest joint in place.



The armrest joint is refitted on the other side of the armrest.



CAUTION

Check the function of the armrest joint. If the armrest can't be tilted, the screw is too tight, loosen the screw one turn.

7. Refit the armrest on the other side of the seat.
8. Refit the armrest cushion.

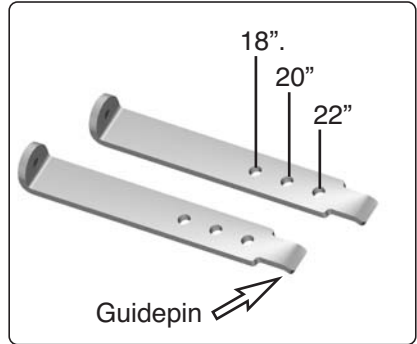
Positioning Belt (Accessories)

Fitting the Brackets

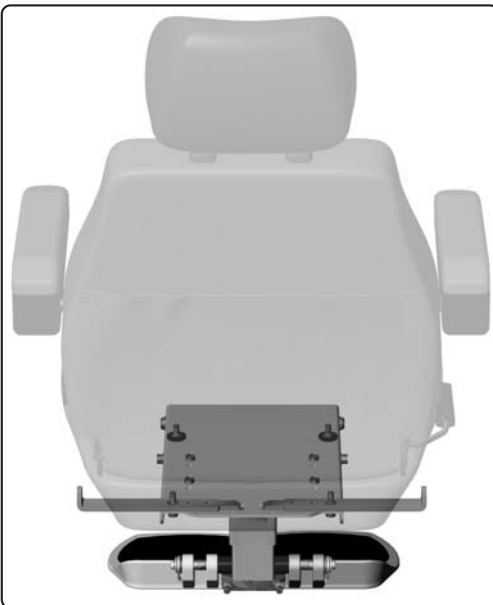
(Order no: 314218-99-0)

When fitting a Positioning Belt, a bracket on each side of the seat has to be fitted first.

1. Remove the rear fastening screws and the spacers fitted between the seat and the leg rest unit.
2. Replace the removed spacers with the brackets. Use the removed rear fastening screws to secure the brackets. Use the mounting hole on the bracket that corresponds with the seat width on the actual seat. Make sure the brackets are secured with in the guiding holes in the legrest unit.



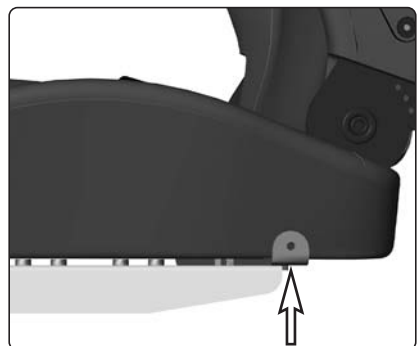
The bracket has different mounting holes for different seat widths.



Fitting the Positioning Belt bracket.



The two brackets are fitted with the seats rear fastening screws.



Positioning Belt bracket.

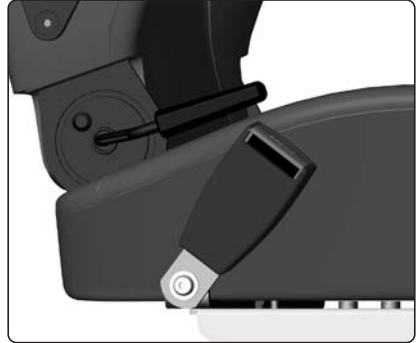
Positioning Belt (Accessories)

Fitting the Positioning Belt

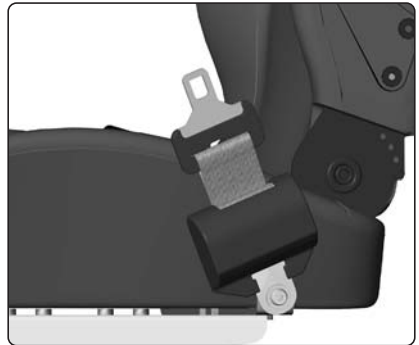
1. Screw the belt in position with the snap lock on the side that suits the user best, and the other part with the buckle on the opposite side.
2. Check after fitting the belt that the buckle fits properly into the snap lock.

Fitting the self adjusting Positioning Belt

1. Fit the snap lock on the right side of the seat.
2. Fit the part with the buckle on the left side.
3. Check after fitting the belt that the buckle fits properly into the snap lock.



Snap Lock on the self adjusting belt.

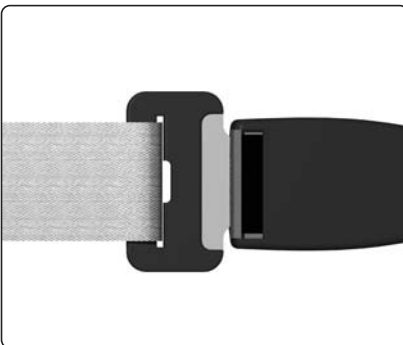


Self adjusting Positioning Belt.

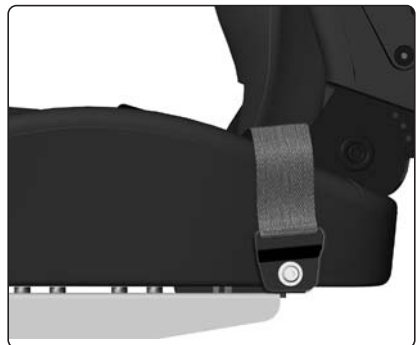


WARNING

Permobil recommends the user to use the positioning belt while operating the wheelchair. Permobil also refers the user to the warnings regarding positioning belts while driving in a motor vehicle on page 13.



Check after fitting the belt that the buckle fits properly into the Snap Lock.



Positioning Belt.

Headrest (Accessories)

The height of the headrest can be adjusted for optimum comfort. In addition to the lowest position, the headrest can be adjusted to three higher fixed positions.



WARNING

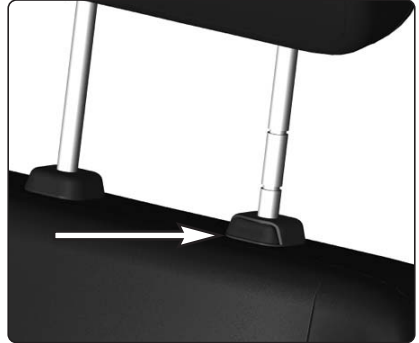
The headrest must not be raised further than the highest fixed position.

1. Press the locking button on the left bracket of the headrest. See picture.
2. Adjust the headrest to the desired height. Choose between the lowest height or one of the three higher fixed levels.
3. Release the locking button.



WARNING

Do not subject the headrest to load when adjusting it.



Headrest locking button.



The Headrest in its lowest position.



The Headrest in its highest position.

Control Panel

The location of the control panel can be adjusted lengthwise to find the optimum driving position.

Length Adjustment

1. Loosen the locking knob on the panel bracket and adjust the panel to the desired position.
2. Tighten the knob.



Locking knob for length adjustment.

Transport

In order to make transporting the wheelchair or seat easier, it is possible to tilt the backrest forwards.

1. Taking a firm hold on the backrest, release the backrest joint by pulling the release lever upwards. The backrest is pressed forwards by an integral spring. Tilt the backrest as far forwards as possible.
2. Fold up the foot plates.

If the seat has a headrest, this can be removed by pressing the locking button on the left bracket while pulling the headrest straight upwards. The headrest can then be placed on the seat.



WARNING

Take care to avoid crushing your hands and arms when adjusting the seat's moving parts.



Seat ready to be transported.

Finishes Care and Maintenance

With regular care and maintenance, your Permobil will provide years of superior performance and satisfaction. To maintain the finish quality of your wheelchair, please follow the cleaning procedures provided below.

The instructions for the care and maintenance of Permobil products are provided to you as a service. No warranty is implied since results may vary.

Vinyl Upholstery

For normal cleaning, wash vinyl upholstery with a soft cloth or soft-bristled brush lathered with mild, nonabrasive soap and lukewarm water. Before the surface dries, wipe with a clean, dry cloth to remove any residue. This procedure may be repeated to remove stubborn dirt or stains. Ink spots can sometimes be removed by washing with soap and water followed by isopropyl alcohol.

Do not use any cleaning method that is not listed above, as other methods may attack the vinyl and cause eventual degradation.

Coated Metal

For normal cleaning, wash coated metal surfaces with a soft cloth soaked in detergent and warm water; rinse thoroughly and dry.

Remove scuff marks from low-gloss coatings with pre-softened paste wax, following the manufacturer's instructions.

Remove scuff marks and scratches from high-gloss coatings using automotive polishing compounds, either liquid or paste. After polishing, apply a pre-softened automotive paste wax to restore original sheen.

Plastic

For normal cleaning, wash plastic surfaces with a soft cloth soaked in mild detergent and warm water. Rinse thoroughly and dry with a soft cloth. Do not use solvents or abrasive kitchen cleaners.

Also see the washing instructions on the various cushions. If necessary, the covers can be taken off for cleaning.



CAUTION

Do not rinse the seat off with a water hose. The wheelchair must always be shut off while it is being cleaned.

CS

Without Legrest



Contents

Design and function	36
General	36
Seat functions	37
General	37
Seat functions and adjustments	38
Backrest recline	38
Maximum Backrest recline	39
Armrests	40
Positioning Belt	43
Headrest	44
Control Panel Bracket	45
Transport	46
Finishes Care and Maintenance	47

Design and function

General

The CS seat is a manually adjustable seat which with a few simple operations can be adapted to your wishes and requirements.

The seat may be fixed or fitted with a seat lift, and may have headrest.

General view, CS seat



1. Headrest (Accessories)
2. Backrest
3. Armrest

Seat functions

General

Electric Seat Lift (Accessories)

The electric seat lift is operated by the electric actuator, adjusted from the wheelchair control panel or the seat control panel, normally placed next to the control panel. More information about the control panel will be found in the chassis owner's manual.

Manual seat functions/adjustment

Backrest, armrest, control panel and headrest (accessories) can be manually adjusted and regulated.



Adjusting the angle of the Armrest.

Manual seat functions

Backrest recline

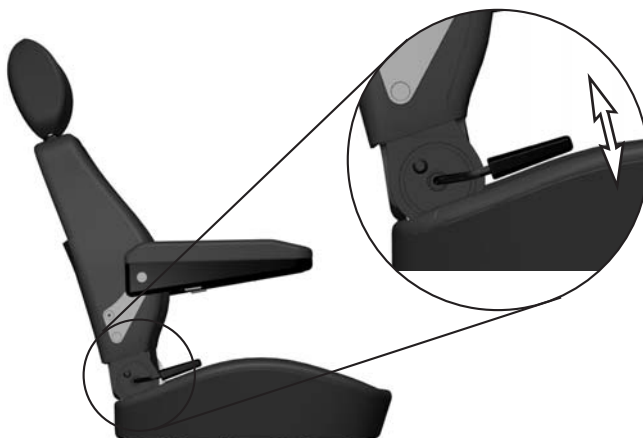
The tilt angle of the Backrest can be manually regulated.



WARNING

When the backrest joint is released, the backrest is pressed forwards by an integral spring.

1. If you are beside the seat, take firm hold of the backrest. If you are in the seat, lean back carefully.
2. Release the backrest joint by pulling the release lever upwards. The back rest is pressed forwards by an integral spring.
3. Move the backrest to the desired angle.
4. The backrest joint is locked when you let go of the release lever.



The angle of the Backrest can be adjusted when the Backrest joint's release lever is pulled upwards.

Maximum Backrest recline

The maximum backrest recline is 120°.



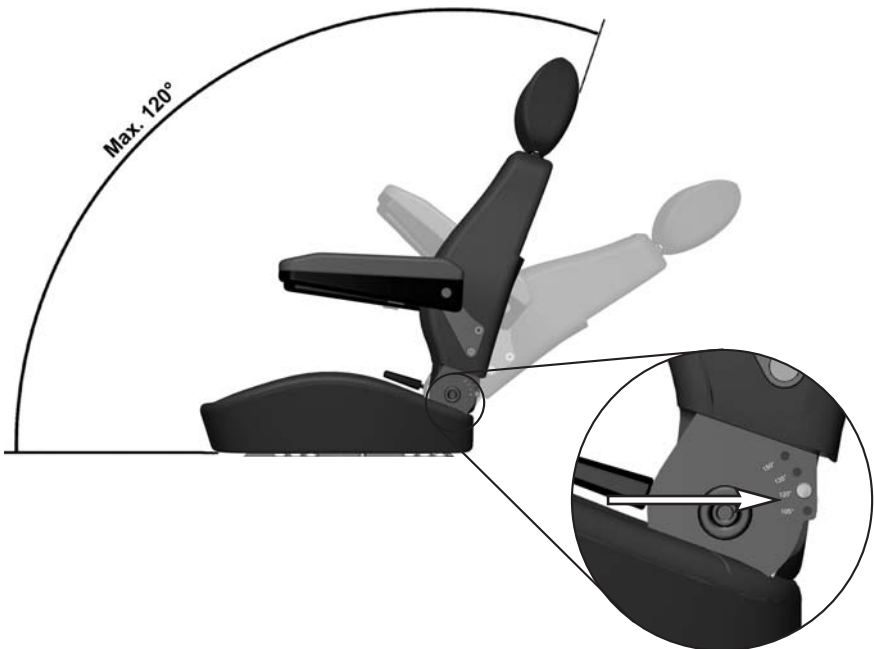
WARNING

The lock that limits the maximum backrest recline to 120° must not be removed. Greater backrest recline would move the center of gravity and make the wheelchair more difficult to maneuver.

Set the backrest recline to 105°

If needed, the maximum backrest recline can be set to 105°.

1. Mount a screw with nut in the hole marked 105°, see figure below.



The maximum backrest recline is set to 120°. If needed, the maximum backrest recline can be set to 105° with a screw and nut.

Armrests

The angle of both armrests can be adjusted for optimum comfort.

With no load on the armrest, adjust its angle by turning the adjusting roller underneath the armrest.



NOTE

Do not subject the armrests to load when adjusting them.



Adjusting the angle of the Armrest.



The adjusting roller is underneath the Armrest.

Adjusting the Armrest height

(Accessories, Order no: 1820536)

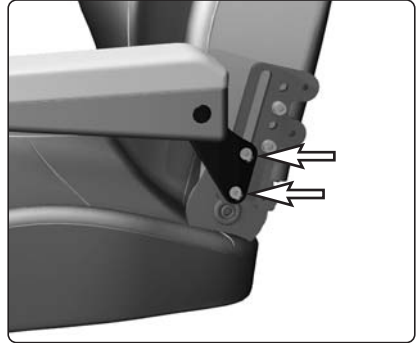
The armrest height can be adjusted.

1. Loosen the two screws holding the armrest, see Fig.
2. Adjust the armrest for optimum comfort.
3. Lock the armrest on desired height with the two screws.



NOTE

Do not subject the armrests to load when adjusting them.



The armrest is fitted with two screws.

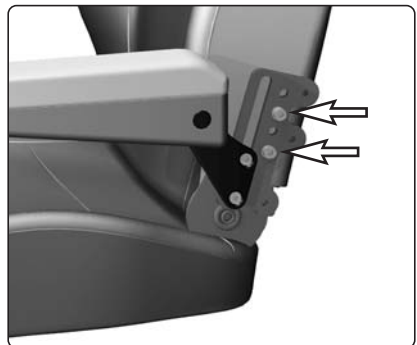
If this adjustment isn't enough, the armrest bracket can be fitted in an alternative position, see below.

Fit the armrest bracket in an alternative position

To get more adjustment, the armrest brackets can be fitted in an alternative position.

1. Loosen the two screws holding the armrest bracket, see Fig.
2. Refit the armrest bracket in the position that suits the user best.

If this adjustment isn't enough, the armrest joint can be turned.

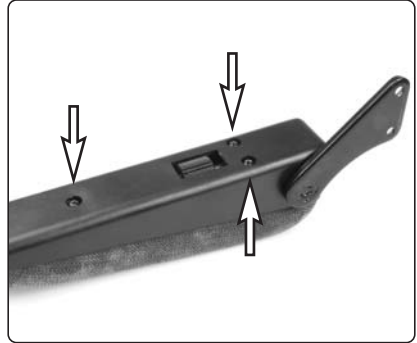


The armrest bracket is fitted with two screws.

Turn the armrest joint

To be able to lower the armrests further, the armrest joints can be turned. Left armrest will be fitted on the right side and right armrest will be fitted on the left.

1. Remove the armrest, it's fitted with two screws, see fig. on previous page.
2. Remove the armrest cushion, it's fitted with three screws, see fig.
3. Remove the screw that holds the armrest joint in place, see fig.
4. Remove the armrest joint by pulling it straight out.
5. Refit the armrest joint from the other side of the armrest.
6. Refit the screw that holds the armrest joint in place., see fig. Screw it in until it's top is in level with the surface of the joint.



the armrest cushion is fitted with three screws..



The screw holds the armrest joint in place.



The armrest joint is refitted on the other side of the armrest.



NOTE

Check the function of the armrest joint. If the armrest can't be tilted, the screw is too tight, loosen the screw one turn.

7. Refit the armrest on the other side of the seat.
8. Refit the armrest cushion.

Positioning Belt (Accessories)

Fitting the Positioning Belt

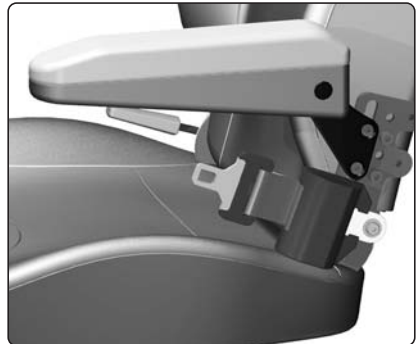
1. Screw the belt in position with the snap lock on the side that suits the user best, and the other part with the buckle on the opposite side.
2. Check after fitting the belt that the buckle fits properly into the snap lock.

Fitting the self adjusting Positioning Belt

1. Fit the snap lock on the right side of the seat.
2. Fit the part with the buckle on the left side.
3. Check after fitting the belt that the buckle fits properly into the snap lock.



Snap Lock on the self adjusting belt.

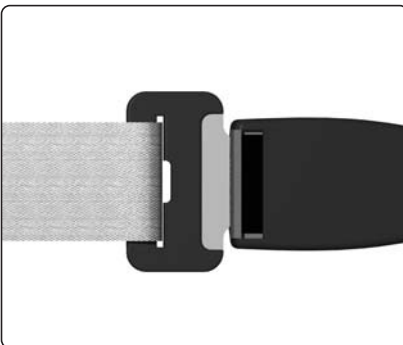


Self adjusting belt.

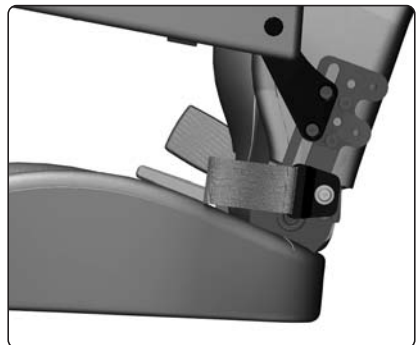


WARNING

Permobil positioning belts are designed to position the user only and will not protect you in an accident. You may even receive further injury from the belts. Also check regularly that the belt is in good condition, and that it is not worn or damaged.



Check after fitting the belt that the buckle fits properly into the Snap Lock.



Positioning Belt.

Headrest (Accessories)

The height of the headrest can be adjusted for optimum comfort. In addition to the lowest position, the headrest can be adjusted to three higher fixed positions.

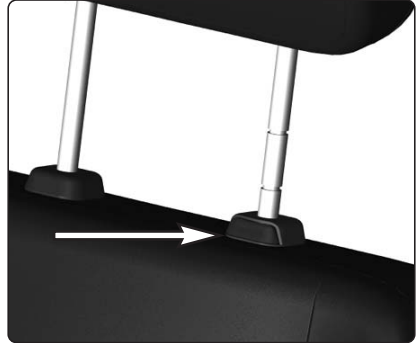
**WARNING**

The headrest must not be raised further than the highest fixed position.

1. Press the locking button on the left bracket of the headrest. See picture.
2. Adjust the headrest to the desired height. Choose between the lowest height or one of the three fixed higher levels.
3. Release the locking button.

**WARNING**

Do not subject the headrest to load when adjusting it.



Headrest locking button.



The Headrest in its lowest position.



The Headrest in its highest position.

Control Panel

The location of the control panel can be adjusted lengthwise to find the optimum driving position.

Length Adjustment

1. Loosen the locking knob on the panel bracket and adjust the panel to the desired position.
2. Tighten the knob.



Locking knob for length adjustment.

Transport

In order to make transporting the wheelchair or seat easier, it is possible to tilt the backrest forwards.

1. Taking a firm hold on the backrest, release the backrest joint by pulling the release lever upwards. The backrest is pressed forwards by an integral spring. Tilt the backrest as far forwards as possible.

If the seat has a headrest, this can be removed by pressing the locking button on the left bracket while pulling the headrest straight upwards. The headrest can then be placed on the seat.



WARNING

Take care to avoid crushing your hands and arms when adjusting the seat's moving parts.



Seat ready to be transported.

Finishes Care and Maintenance

With regular care and maintenance, your Permobil will provide years of superior performance and satisfaction. To maintain the finish quality of your wheelchair, please follow the cleaning procedures provided below.

The instructions for the care and maintenance of Permobil products are provided to you as a service. No warranty is implied since results may vary.

Vinyl Upholstery

For normal cleaning, wash vinyl upholstery with a soft cloth or soft-bristled brush lathered with mild, nonabrasive soap and lukewarm water. Before the surface dries, wipe with a clean, dry cloth to remove any residue. This procedure may be repeated to remove stubborn dirt or stains. Ink spots can sometimes be removed by washing with soap and water followed by isopropyl alcohol.

Do not use any cleaning method that is not listed above, as other methods may attack the vinyl and cause eventual degradation.

Coated Metal

For normal cleaning, wash coated metal surfaces with a soft cloth soaked in detergent and warm water; rinse thoroughly and dry.

Remove scuff marks from low-gloss coatings with pre-softened paste wax, following the manufacturer's instructions.

Remove scuff marks and scratches from high-gloss coatings using automotive polishing compounds, either liquid or paste. After polishing, apply a pre-softened automotive paste wax to restore original sheen.

Plastic

For normal cleaning, wash plastic surfaces with a soft cloth soaked in mild detergent and warm water. Rinse thoroughly and dry with a soft cloth. Do not use solvents or abrasive kitchen cleaners.

Also see the washing instructions on the various cushions. If necessary, the covers can be taken off for cleaning.



WARNING

Do not rinse the seat off with a water hose, its electronics can be damaged. The wheelchair must always be shut off while it is being cleaned.

Accessories

We are constantly developing accessories for our seats and wheelchairs. Contact your nearest Permobil retailer for more information about the accessories available for your seat and wheelchair.

Data

The size and weight information given below apply to the standard model of a CS seat.

General

Name CS

Size and weight

Width..... 18", 20", 22"

Weight, legrest included Aprox.. 77 lbs.

Max. weight user 300 lbs.

Spare Parts

Pos ID	Qty	Stock Code	Description
1	1	1820436	Headrest
2	1	1820437	Armrest right
3	1	1820438	Armrest left
4	1	1820439	Panel bracket VSI right.
4	1	1820440	Panel bracket VSI left.
4	1	310043	Panel bracket Pilot+
5	1	1820441	Legrest
6	1	1820442	Legrest profile
7	1	1820443	Set of screws, Legrest angle adjustment
8	1	1820444	Set of screws, Legrest height adjustment
9	1	306614-28-1	Foot plate right
10	1	306614-28-2	Foot plate left



US

CS



Order no 205211-US-0