



WHEELCHAIR TRANSPORT BRACKETS (ZR Series 2) Owner's Manual Supplement

DEALER/SUPPLIER: THIS SUPPLEMENT MUST BE GIVEN TO THE USER OF THIS WHEELCHAIR.

USER: BEFORE USING THIS WHEELCHAIR, YOU MUST READ THIS SUPPLEMENT IN IT'S ENTIRETY AND SAVE IT FOR FUTURE REFERENCE.

ATTENDANTS/ASSISTANTS: BEFORE ASSISTING THE USER OF THIS WHEELCHAIR, YOU MUST READ THIS SUPPLEMENT IN IT'S ENTIRETY AND SAVE IT FOR FUTURE REFERENCE.

I. WARNINGS

⚠ WARNING

TiLite wheelchairs with Wheelchair Transport Brackets have NOT been crash-tested. Wheelchair users MUST transfer into the vehicle seat and use the Original Equipment Manufacturer (OEM) vehicle-installed restraint system.

⚠ WARNING

You should contact TiLite Customer Service at 800-545-2266 with any questions you may have about transporting this wheelchair in a motor vehicle.

⚠ WARNING

Alterations or substitutions should NOT be made to the wheelchair securement points or to structural or frame parts or components.

⚠ WARNING

TiLite expressly disclaims that use of its Wheelchair Transport Brackets on a wheelchair will prevent the wheelchair from being damaged in the event of a motor vehicle accident.

⚠ WARNING

A sudden stop and/or collision may structurally damage your wheelchair. Such damage may not be visible. IMMEDIATELY STOP using any wheelchair that is involved in any such incident. Because the structural damage may not be visible, you MUST replace any wheelchair that is involved in any such incident.

⚠ WARNING

You MUST use your TiLite wheelchair in strict accordance with all warnings and instructions contained in your TiLite Owner's Manual and this Owner's Manual Supplement.

⚠ WARNING

Whenever possible, other auxiliary wheelchair equipment should be either effectively secured to the wheelchair or removed from the wheelchair and secured in the vehicle during transit so that such equipment does not break free and cause injury to the vehicle occupants in the event of a collision.

⚠ WARNING

In order to reduce the potential of injury to vehicle occupants, wheelchair-mounted trays and other accessories (such as IV poles, respiratory equipment, backpacks and other personal items) not specifically designed for crash safety should: (i) be removed and secured separately in the vehicle, or (ii) be secured to the wheelchair but positioned away from the occupant with energy-absorbing padding placed between the tray or other accessory and the occupant.

⚠ WARNING

IF YOU FAIL TO HEED THE WARNINGS IN THIS SUPPLEMENT, YOU MAY DAMAGE YOUR WHEELCHAIR, CAUSE SEVERE PHYSICAL INJURY TO OTHERS OR SUFFER SEVERE PHYSICAL INJURIES YOURSELF, UP TO AND INCLUDING DEATH.

II. SECURING THE WHEELCHAIR TO THE VEHICLE

The TiLite Wheelchair Transport Brackets option has NOT been crash-tested either pursuant to ISO 7176-19 “Wheeled Mobility Devices for Use in Motor Vehicles” or pursuant to ANSI/RESNA WC19. Therefore, the Wheelchair Transport Brackets option is provided solely for the purpose of securing an UNOCCUPIED wheelchair in a motor vehicle.

⚠ WARNING

If it is necessary to remove or adjust the transport brackets, always use the original parts supplied by TiLite and follow the procedures in the TiLite Field Assembly Guide for installing the Transport Bracket Option on the TiLite ZR. Any adjustment must ALWAYS be performed by an authorized TiLite dealer. Notwithstanding this Warning, you should ALWAYS inspect the brackets before securing the wheelchair in a motor vehicle to ensure that they are properly secured, and, if necessary, the bolts should be tightened.

Each of the four transport brackets (see Figure 1) is identified with the symbol shown in Figure 2.

Figure 1

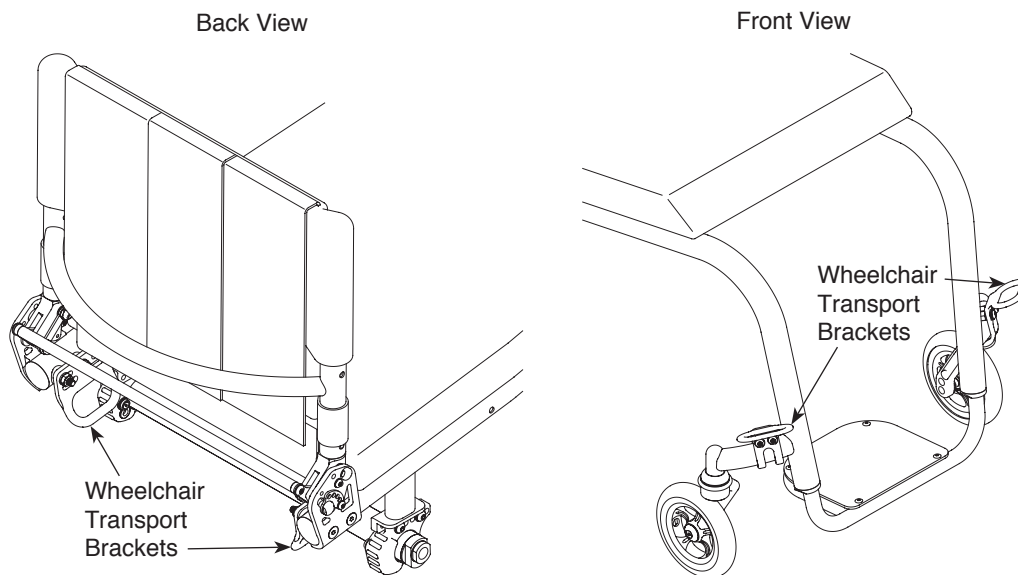
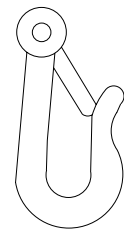


Figure 2



1. Carefully inspect each of the four transport brackets to ensure that they are properly secured to the wheelchair.
2. Carefully inspect each wheelchair tie down strap for damage or wear.
3. Each of the four wheelchair tie down straps must be tightened to ensure that the wheelchair is securely fastened to the vehicle—there should be no “play” or looseness in any of the four wheelchair tie down straps.

III. WARRANTY MODIFICATION

A copy of the TiLite Limited Warranty was enclosed with your new wheelchair when it was shipped from our factory. Our warranty is also available on our website, www.tilite.com. That Limited Warranty applies to your TiLite ZR with the Wheelchair Transport Brackets, with the following modification: The warranty is void if the wheelchair is damaged as a result of transit use.