

TiLite 2GX Order Form

Effective October 15th, 2018 (New Items in Red)

FOLDING FRAME

Page 1 of 6

DEALER INFORMATION		RTS INFORMATION	
Dealer:	Account #:	RTS:	Phone:
PO:	Ordered By:	Email:	
Email:		SHIP TO INFORMATION	
Mark For:		Name:	Ship Via:
TiLite Sales Rep:		Address:	
TiLite Information:	Promo Code:	City:	State: Zip:
Ship Date:	Order #:	Phone:	Fax:

Please Email or Fax to the Permobil Manual Customer Service Team at US_Box_TiLite_Orders@permobil.com or 866.586.2413 / 509.586.2413

FRAME STYLE

- G2FS1 **2GX2 Titanium Frame** (Full Adjustability. 265 Pound Weight Limit. Light Weight, High Strength and Vibration Dampening. Not Available with Frame Transit Tie-Down.) **\$4,265** **K0005**
- XFS1 **Swing Away** **STD**
- XFS3 **Hemi Height Frame** (Available with a Front Seat Height of 13.5" - 20" (34-51cm). Not Available with Depth Adjustable Back/Frame, 12" or 13" Seat Depth or Heavy Duty Frame.) **NCO**
- XFS2 **Fixed Front** **NCO** **K0005**
- XHDR1 **Heavy Duty Frame (350 Pound Weight Limit. Includes Tension Adjustable by Straps Back Upholstery. Available with 18" to 22" Seat Widths and 16" to 20" Seat Depths. Not Available with 90° front end).** **\$435**
- XPWR1 **Power Adaptable Frame** (Not required for SmartDrive. No charge when 20" Rear Seat Width **A** and 20" Seat Depth **B** are selected. Requires LiteSpeed Billet Aluminum Front Wheels and 0 degree Camber. Not available with Single-Sided Forks.) **\$340**
- XRFR1 **Reinforced Frame** (No charge when 20" Rear Seat Width and 20" Seat Depth are selected.) **\$340**
- XMAXSD1 **Permobil Smart Drive MX2+** **\$7,131** **E0986**
- XMAXSD2 PushTracker Size Small Medium Large **STD**
- XMAXSD4 Carrying Bag **\$78**
- XMAXSD5 Thumb Throttle Buttons **\$437**

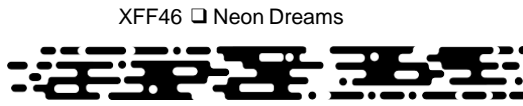
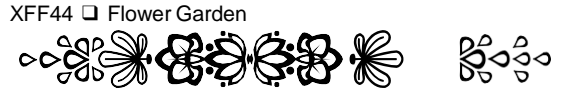
TRANSIT OPTIONS

- (Please refer to the Aero X2 Transit Tie-Down Option Brochure for important information regarding the Transit Tie-Down Options.)
- XTTDO1 **Aluminum Frame Transit Tie-Down** (Consists of four Tie-Down Brackets. Not Available with 2GX2, Heavy Duty Frame, Hemi Height Frame, Swing Away Tubular Armrests or Swing Away-Flip Back Tubular Armrests. Requires a Folding Stabilizer Bar unless a Depth Adjustable Backrest is selected. Requires minimum seat depth of 14") **\$335**
- XWTB **Transport Bracket Option** (Consists of four Tie-Down Brackets. Unoccupied Use Only.) (Not Available when Swing Away frame and Heavy Duty Frame are both selected. Not available with Swing Away Tubular Armrest or Swing Away-Flip Back Tubular Armrests. Requires a minimum seat depth of 14" or 15" seat Depth with Hemi Height Frame.) **\$350**

FRAME FINISHES

Natural Finishes

- XFF1 **Satin** (Available with Titanium Frame only.) **STD**
- XSCBT1 **Satin Finish Buffing Pads** **\$20**
- XFF2 **Polished** (Available with Titanium Frame only.) **\$795**
- XFF3 **Tattoos** (Tattoos on front frame tubes. Titanium frame finished in Satin. Aluminum frame tattooed in blasted aluminum with clear coat. Tattoos will be trimmed and adjusted to fit your frame.) **\$335**

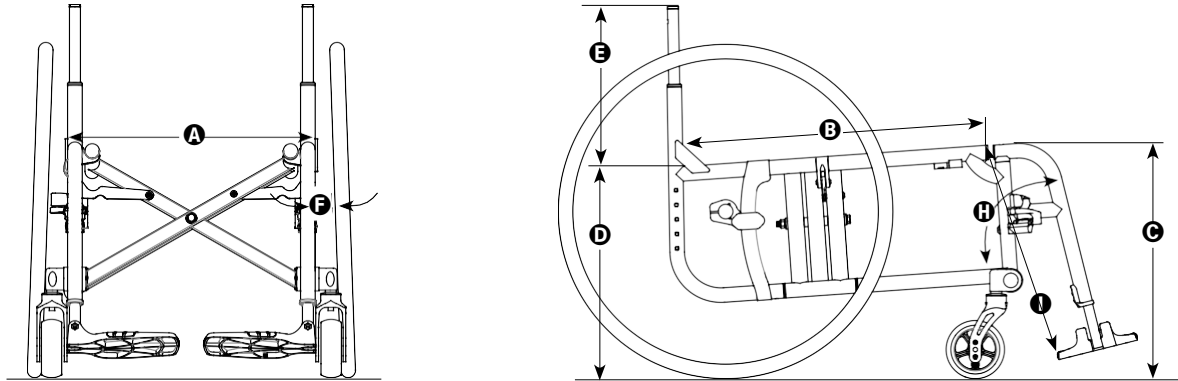


- High Gloss Paint** XFF8 Super Wet Black XFF10 TiLite Red XFF29 Neon Pink
- Metallic Paint** XFF14 Ocean Blue Metallic XFF15 Tangerine Metallic XFF30 Acid Green Metallic
- Pearlescent Paint** XFF17 Midnight Blue Pearl XFF18 White Pearl
- Matte Paint** XFF19 Black Lava XFF27 Titanium Grey
- Candy Paint** XFF22 Ruby Red XFF23 Azure Blue XFF25 Electric Plum
- Matte Textured Paint** XFF40 Hyper Blue XFF41 Flame Orange XFF42 OD Green **STD**

SEAT WIDTH **A** Measure from outside of seat tube at back post to the outside of the opposite seat tube at back post.

- XSW1 12" 13" 14" 15" 16" 17" 18" 19" **STD**
- XSW2 20" 21" 22" (21" and 22" Seat Widths **A** are only available with Heavy Duty Frame.) **\$495** **E2201**

FRAME MEASUREMENTS



SEAT DEPTH ⑥ Measure from 1/2" in front of back post to the front edge of seat sling. (12"-14" Seat Depths ⑥ not available with 25" (559) and 26" (560)

Rear Wheels.)

- XSD1 12" 13" 14" 15" 16" 17" 18" 19" **STD**
 XSD2 20" **\$525 E2203**

XSD3 Custom Frame Depth: _____" Frame Depth Longer Than Seat Depth (Use 1" increments with a maximum of 2".
 A Custom Frame Depth with a maximum of 20" is \$475.) **NCO**

FRONT SEAT HEIGHT ⑦ Measure from floor to top of seat tube at front edge of seat sling. Adjustable in 1/2" increments. (13.5" - 14"

Front Seat Height ⑦ requires Hemi Height Frame Style. 20.5" - 21.5" Front Seat Height ⑦ not available with Hemi Height Frame Style.)

FRONT SEAT HEIGHT RANGES

Front Wheel Size	Front Seat Heights ⑦	Hemi Front Seat Height ⑦	
3" Front Wheel	14.5" - 18.5"	13.5" - 17.5"	
3" Front Wheel w/Glide™	16.5" - 17.5"	15" - 17.0"	
4" Front Wheel	15.5" - 19"	14.5" - 18.0"	
4" Front Wheel w/Glide™	17.0" - 18."	15.5" - 17"	XFSH1 <input type="checkbox"/> 13.5" <input type="checkbox"/> 14" <input type="checkbox"/> 14.5" <input type="checkbox"/> 15"
5" Front Wheel	16.5" - 19.5"	16" - 18.5"	<input type="checkbox"/> 15.5" <input type="checkbox"/> 16" <input type="checkbox"/> 16.5" <input type="checkbox"/> 17"
5" Front Wheel w/Glide™	17.5" - 18.5"	16.5" - 18.0"	<input type="checkbox"/> 17.5" <input type="checkbox"/> 18" <input type="checkbox"/> 18.5" <input type="checkbox"/> 19"
6" Front Wheel	17.5" - 20"	16.5" - 19.0"	<input type="checkbox"/> 19.5" <input type="checkbox"/> 20" <input type="checkbox"/> 20.5" <input type="checkbox"/> 21"
6" Front Wheel w/Glide™	19"	17.5" - 18"	
8" Front Wheel	19.5" - 21"	18.5" - 19.5" STD

REAR SEAT HEIGHT ⑧ Measure from floor to top of seat tube at back post. Adjustable in 3/8" increments.

REAR SEAT HEIGHT RANGES

Rear Wheel Size	Rear Seat Height ⑧	
22"	13" - 18"	
24"	14" - 19"	
25"	14" - 19"	
26"	15" - 20"	

XRSH1 13" 13.5" 14" 14.5" 15" 15.5" 16" 16.5" 17" 17.5" 18" 18.5" 19" 19.5" 20" **STD**

SEAT BACK HEIGHT ⑨/SEAT BACK/PUSH HANDLES Measure from top of back post to top of seat tube at rear of frame.

SEAT BACK TYPE

- XSB13 Fixed Angle, Adjustable-Height Seat Back **STD**
 XLB1 Folding Stabilizer Bar (Required with Transit Tie-Down Option unless Depth Adjustable Backrest is selected.
 Includes Tension Adjustable by Strap Back Upholstery.) **\$390**
 XSB14 Fixed Angle, Adjustable Height Seat Back w/8-Degree Bend. (Not available with Heavy Duty Frame.) **NCO**
 XSB18 Folding Adjustable-Angle and Height Seat Back (Not available with Heavy Duty Frame or Ride Designs® Corbac™.) **\$230**
 XSB16 Depth Adjustable Back/Frame (Not Available with Hemi Height Frame, Heavy Duty Frame,
 19" or 20" Seat Depths ⑥, Swing Away Tubular or Swing Away Flip-Back Armrest. Seat Depths ⑥ of 12"-17" allow 3" of rearward
 adjustment. Seat Depth ⑥ of 18" allow 2" of rearward adjustment. Requires Tension Adjustable Seat Upholstery.) **NCO**

PUSH HANDLES

- XSB6 Integrated Push Handles **NCO**
 XSB7 Integrated Fold-Down Push Handles (Requires Tension Adjustable by Straps Back Upholstery. Not available with
 Heavy Duty Frame.) **\$115**
 XSB9 Bolt-On Height Adjustable Push Handles (Requires Tension Adjustable by Straps Back Upholstery. Not available with
 Heavy Duty Frame, Folding Adjustable-Angle and Height Seat Back, Swing Away Tubular Armrests, Swing Away - Flip Back
 Tubular Armrests or Ride Designs® Corbac™.) **\$335**

XSB20/XSB14 **FIXED ANGLE ADJUSTABLE SEAT BACK HEIGHT ⑨** (11" - 15" Fixed Seat Back Height not available with Heavy Duty
 Frame, Swing Away Tubular Arms 12"-15", Bolt-On Height Adjustable Push Handles or Folding Stabilizer Bar.)

Push Handles (Selected on Pg. 2)	Short	Tall	Set at: (Use 1" increments)
None	<input type="checkbox"/> 11"- 15"	<input type="checkbox"/> 16"- 20"	Set at: _____
Integrated	<input type="checkbox"/> 11"- 15"	<input type="checkbox"/> 16"- 20"	Set at: _____
Integrated Fold-Down	<input type="checkbox"/> 11"- 15"	<input type="checkbox"/> 16"- 20"	Set at: _____
Bolt-On Height Adj.	-----	<input type="checkbox"/> 16"- 20"	Set at: _____

TiLite 2GX Order Form

FRAME MEASUREMENTS

XSB18 FOLDING ADJUSTABLE- ANGLE AND HEIGHT SEAT BACK **Ⓢ** (Not available with a Folding Stabilizer Bar or Heavy Duty Frame)

Push Handles (Selected on Pg. 2)	Short	Medium	Tall	Set at: (Use 1/2" increments)
None	<input type="checkbox"/> 11"- 13"	<input type="checkbox"/> 13.5"- 16.5"	<input type="checkbox"/> 16.5"- 19.5"	Set at: _____
Integrated	<input type="checkbox"/> 12.5"- 14.5"	<input type="checkbox"/> 13.5"- 16.5"	<input type="checkbox"/> 17"- 19.5"	Set at: _____
Integrated Fold-Down	<input type="checkbox"/> 15"- 17"	<input type="checkbox"/> 16"- 19"	<input type="checkbox"/> 18.5"- 20.5"	Set at: _____

CAMBER **Ⓢ**

XCBR8 0° 2° 4° 6° **STD**

FRONT ANGLE **Ⓢ** Front Angle **Ⓢ** is measured from inside of front frame tube to top of bottom frame tube.

Swing Away Front End

XFA3 70° 80° 85° (Not available with 6" Front Wheels.) 90° (Requires aluminum footplate. Not available with Heavy Duty Frame, 5" or 6" Front Wheels.) **STD**

XFA5 Elevating Leg Rest L **OR** R (When choosing a left or right Elevating Leg Rest, please select the opposite Front Angle (XFA3), above. Not available with 14" or narrower Seat Width **Ⓢ** or Neoprene Impact Guards.) **\$170 E0990**

XFA7 Elevating Leg Rest Pair (Not available with Heavy Duty Frame, 14" or narrower Seat Width **Ⓢ** or Neoprene Impact Guards.) **\$335 E0990**

XFA0 Omit Hangers **NCO**

Fixed Front End

XFA6 70° 80° 85° (85° Not available with 6" Front Wheels.) **STD**

SEAT TO FOOTREST **Ⓢ/FOOTRESTS** Measure from front edge of seat sling to top rear of footrest.

If your Front Angle **Ⓢ** is **70°, 80°, OR 85°** select one Seat to Footrest **Ⓢ** length and one Footrest type:

Standard Footrests Measurement must be at least 2" shorter than Front Seat Height **Ⓢ**. 70° Fixed Front has a minimum seat to footrest of 14.5"

14" 14.5" 15" 15.5" 16" 16.5" 17" 17.5" 18" 18.5" 19" 19.5" 20"

XFTR5 Flip-up Footrest **STD**

XFTR6 1-Piece Flip-up Footrest - Pivot on L **OR** R (Not available with Heel Loops.) **\$175 K0045**

XFTR7 1-Piece, Over-Center Folding Footrest (Fixed Front Only. Not available with Heel Loops.) **\$175 K0045**

XFTR9 Depth Adjustable Flip-up Footrest **\$110 K0045**

XFTR10 Depth & Angle Adjustable Flip-up Footrest (Available for 15"- 20" Seat to Footrest **Ⓢ** only.) **\$270 K0040, K0045**

XFTR11 Angle Adjustable Flip-up Footrest (Available for 15"- 20" Seat to Footrest **Ⓢ** only.) **\$170 K0040, K0045**

High Mount Footrests (Not Available with Luggage Carriers, or Impact Guards.)

7" 7.5" 8" 8.5" 9" 9.5" 10" 10.5" 11" 11.5" 12" 12.5"

13" 13.5" 14" 14.5"

XFTR20 High Mount Flip-up **\$190 K0037**

XFTR15 Angle Adjustable High Mount Flip-up Footrest **\$325 K0040, K0037**

XFTR16 Depth & Angle Adjustable High Mount Flip-up Footrest **\$375 K0040, K0037**

Elevating Leg Rest

14" 15" 16" 17" 18" 19" 20" 21"

XFTR17 Depth Adjustable Flip-up Footrest **STD**

If your Front Angle **Ⓢ** is **90°**, select one Seat to Footrest **Ⓢ** length and one Footrest type:

7" 8" 9" 10" 11" 12" 13"

XFTR5 Flip-up Footrest **STD**

XFTR9 Depth Adjustable Flip-up Footrest **\$110 K0037**

XFTR10 Depth & Angle Adjustable Flip-up Footrest **\$270 K0040, K0037**

XHLP1 **Heel Loops** (Not available with 13" or narrower Seat Width **Ⓢ** or 1-Piece Footrests.) **\$50 E0951**

CUSTOM CONFIGURATION OPTIONS

FRONT WHEELS (See Front Seat Height Ranges Chart on Page 2 for Front Seat Height **Ⓢ** limitations.)

XFW24 3"x1.5" LiteSpeed Billet Aluminum Wheel w/Soft Roll Tire Silver Hub **OR** Black Hub **\$190**

XFW14 4"x.75" Plastic Wheel w/Poly Tire (Not available with Power Adaptable Frame, Heavy Duty Frame or Glide™ Single-Sided Suspension Fork.) **NCO**

XFW3 4"x.75" Light-Up Micro-Caster (Not available with Power Adaptable Frame, Heavy Duty Frame or Glide™ Single-Sided Suspension Fork.) **\$80**

XFW25 4"x.75" LiteSpeed Billet Aluminum Wheel w/Poly Tire Silver Hub **OR** Black Hub **\$150**

XFW26 4"x1.5" LiteSpeed Plastic Wheel w/Soft Roll Tire (Not available with Power Assist, Power Add-on System or Heavy Duty Frame.) **\$95**

XFW27 4"x1.5" LiteSpeed Billet Aluminum Wheel w/Soft Roll Tire Silver Hub **OR** Black Hub **\$200**

XFW6 5"x1" Plastic Wheel w/Poly Tire (Not available with Power Adaptable Frame, Heavy Duty Frame or with 90° Front Angle **Ⓢ** or Glide™ Single-Sided Suspension Fork.) **NCO**

XFW28 5"x1.5" LiteSpeed Plastic Wheel w/Soft Roll Tire (Not available with Power Adaptable Frame, Heavy Duty Frame or 90° Front Angle **Ⓢ**.) **\$95**

XFW29 5"x.75" LiteSpeed Billet Aluminum Wheel w/Poly Tire Silver Hub **OR** Black Hub (Not available with 90° Front Angle **Ⓢ**.) **\$170**

XFW30 5"x1.5" LiteSpeed Billet Aluminum Wheel w/Soft Roll Tire Silver Hub **OR** Black Hub (Not available with 90° Front Angle **Ⓢ**.) **\$215**

XFW9 6"x1" Plastic Wheel w/Poly Tire (Not available with Power Adaptable Frame, Heavy Duty Frame or 85° or 90° Front Angle **Ⓢ** or Glide™ Single-Sided Suspension Fork.) **NCO**

XFW34 6"x1" LiteSpeed Billet Aluminum Wheel w/Poly Tire Silver Hub **OR** Black Hub (Not available with 85° or 90° Front Angle **Ⓢ** or Glide™ Single-Sided Suspension Fork.) **\$190**

XFW32 6"x1.5" LiteSpeed Plastic Wheel w/Soft Roll Tire (Not available with Power Adaptable Frame, Heavy Duty Frame, 85° or 90° Front Angle **Ⓢ**, or Glide™ Single-Sided Fork.) **\$100**

CUSTOM CONFIGURATION OPTIONS

The Natural-Fit® LT (Reduced Weight, Smaller Profile)

XRIM17 <input type="checkbox"/> Standard Grip (Not available with Short Tabs or Spinegy Carbon Blade Rear Wheels.)	\$415
XRIM18 <input type="checkbox"/> Super Grip (Not available with Short Tabs or Spinegy Carbon Blade Rear Wheels.)	\$475
XRIM19 <input type="checkbox"/> Without Thumb Grip	\$390
XRIM10 <input type="checkbox"/> The Surge (All-In-One Oval with Gription™ Strip, Larger Profile)	\$400
XRIM11 <input type="checkbox"/> The Surge LT (All-In-One Oval with Gription™ Strip, Smaller Profile)	\$430
XRIM20 <input type="checkbox"/> Q-Grip (Exclusive High-Friction, Anti-Slip Coating)	\$330

Additional Handrim Options

XRIM5 <input type="checkbox"/> Plastic Coated – Black	\$160
XRIM6 <input type="checkbox"/> Projections - 8 Vertical Projections (Not available with 22"(501), 26"(590), Carbon Blade Rear Wheels.)	\$370
XRIM22 <input type="checkbox"/> Omit Handrims	NCO

Tab Length

XRIM7 <input type="checkbox"/> Long Tabs	STD
XRIM8 <input type="checkbox"/> Short Tabs (Not available with Mag Rear Wheels or The Natural-Fit® Handrims with Thumb Grip.)	\$25

WHEEL LOCKS

Wheel Locks by OUT-FRONT® (Composite wheel locks not always compatible with 12"-13" Seat Depth. Uni-locks will be substituted at no charge.)

XWLK7 <input type="checkbox"/> Compact Composite Push to Lock	NCO
XWLK8 <input type="checkbox"/> Compact Composite Pull to Lock	NCO
XWLK10 <input type="checkbox"/> Extension Handles for Compact Composite Push/Pull to Lock	\$85 E0961
XWLK9 <input type="checkbox"/> Composite Scissor Lock (Not available on Aero X2 Swing Away.)	\$145

Additional Wheel Locks

XWLK3 Uni-Lock Set At: <input type="checkbox"/> Push OR <input type="checkbox"/> Pull	\$165
XWLK4 <input type="checkbox"/> Extension Handles for Uni-Lock	\$85 E0961
XWLK15 <input type="checkbox"/> Grade Aids Push to Lock (Not available with solid rear tires)	\$175 E0974

BACK UPHOLSTERY (Want more seating options? Click here to view the new TiLite Seating Order Form.)

XBUP1 <input type="checkbox"/> Padded Nylon (Black Only. Not available with Heavy Duty Frame, Folding Back, Folding Stabilizer Bar, Depth Adjustable Frame, Fold-Down Push Handles or Ultrasuede Backrest Stripe.)	STD
Tension Adjustable by Straps (Included with Heavy Duty Frame. Required with Aluminum Fendered Side Guards and Fold-Down Push Handles.)	
XBUP3 <input type="checkbox"/> Padded Nylon	\$340 E2611
XBUP5 <input type="checkbox"/> AIR Breathable Upholstery (Not available with Ultrasuede or NiteLite Backrest Stripe.)	\$340 E2611
XUPC3 Ultrasuede Backrest Stripe <input type="checkbox"/> Black <input type="checkbox"/> Sapphire <input type="checkbox"/> Red Pepper <input type="checkbox"/> Burnt Orange <input type="checkbox"/> Ultraviolet	
<input type="checkbox"/> NiteLite Reflective (Not available with Padded Nylon or AIR Breathable Back Upholstery.)	\$105
XBUP0 <input type="checkbox"/> Omit Back Upholstery	NCO

SEAT UPHOLSTERY

XSUP4 <input type="checkbox"/> Tension Adjustable (Black only)	STD
XSUP0 <input type="checkbox"/> Omit Seat Upholstery	NCO

SEAT CUSHION (Want more seating options? Click here to view the new TiLite Seating Order Form.)

XCSH1 Foam Cushion <input type="checkbox"/> 2" <input type="checkbox"/> 3" <input type="checkbox"/> 4"	\$120
XCSH2 <input type="checkbox"/> Comfort Curve Cushion	\$120 E2601

SIDE GUARDS

XSDG1 <input type="checkbox"/> Cloth (Not available with Ride Designs® Corbac™ Back Support.)	\$100
Aluminum	
XSDG2 <input type="checkbox"/> Rigid Removable <input type="checkbox"/> Small OR <input type="checkbox"/> Std	\$200
XSDG3 <input type="checkbox"/> Quad Removable w/Hole <input type="checkbox"/> Small OR <input type="checkbox"/> Std	\$215
XSDG6 <input type="checkbox"/> Fendered Adjustable (Requires Tension Adjustable by Straps Back Upholstery. Not available with Angle-Adjustable Fold-Down Seat Backs.)	\$335
Carbon Fiber	
XSDG7 <input type="checkbox"/> Rigid Removable <input type="checkbox"/> Small OR <input type="checkbox"/> Std	\$310
XSDG8 <input type="checkbox"/> Quad Removable w/Hole <input type="checkbox"/> Small OR <input type="checkbox"/> Std	\$320
XSDG11 <input type="checkbox"/> Fendered Adjustable (Requires Tension Adjustable by Straps Back Upholstery. Not available with Angle-Adjustable Fold-Down Seat Backs.)	\$565

ARMRESTS (Desk Arms come with built-in Side Guards.)

XARM1 Swing Away Tubular (Not available with Heavy Duty Frame, Folding Stabilizer Bar with Short or Medium Seat Back Height ranges or Depth Adjustable Back.)	\$225 E0973
<input type="checkbox"/> 9" - 12" OR <input type="checkbox"/> 12" - 15"	
XARM4 <input type="checkbox"/> Swing Away - Flip Back Tubular (Not available with Heavy Duty Frame, Folding Stabilizer Bar or Depth Adjustable Back.)	\$315 E0973
XARM2 Removable Height Adjustable Desk Arm with Rigid Side Guard (Requires 14" minimum Seat Depth Ⓟ.)	\$335 E0973
<input type="checkbox"/> 9" to 12" OR <input type="checkbox"/> 12" to 15"	
<input type="checkbox"/> Standard Length Pad (10") OR <input type="checkbox"/> Full Length Pad (14")	
XARM3 Removable Height Adjustable Desk Arm with Rigid Side Guard and Transfer Loop (Requires 16" minimum Seat Depth Ⓟ.)	\$375 E0973
<input type="checkbox"/> 9" to 12" OR <input type="checkbox"/> 12" to 15"	
<input type="checkbox"/> Standard Length Pad (10") OR <input type="checkbox"/> Full Length Pad (14")	
Available Armrest Option	
XARM5 <input type="checkbox"/> Covered in Black Ultrasuede (Not available with Desk Arms)	\$110

CUSTOM CONFIGURATION OPTIONS

SEAT BELTS

XBLT1 <input type="checkbox"/> Velcro Adjustable, Black Nylon Webbing.....	\$55	E0978
XBLT2 <input type="checkbox"/> Bodypoint® 2" Push-Button Buckle (Auto-Style.).....	\$95	E0978
XBLT4 <input type="checkbox"/> Bodypoint® 1" Wide Push-Button Buckle Padded (Auto-Style.) (Not available with 19" - 22" Rear Seat Widths A).....	\$180	E0978
XBLT5 <input type="checkbox"/> Bodypoint® 1.5" Wide Push-Button Buckle Padded (Auto-Style.) (Not available with 19" - 22" Rear Seat Widths A).....	\$170	E0978
XBL10 <input type="checkbox"/> Bodypoint® Optional Band Clamp Mounting Hardware.....	\$20	K0108
XBLT15 <input type="checkbox"/> Bodypoint® EvoFlex® Pelvic Stabilizer Swivel Buckle.....	\$185	E0978
XBLT16 <input type="checkbox"/> Bodypoint® EvoFlex® Pelvic Stabilizer Push Button.....	\$185	E0978
XBLT17 <input type="checkbox"/> Bodypoint® EvoFlex® Pelvic Stabilizer Rehab Latch.....	\$185	E0978

CALF STRAP

XCLF2 Velcro Adjustable.....	\$40	K0038
<input type="checkbox"/> Small (Recommended for 9" - 12" Footrest Widths)		
<input type="checkbox"/> Medium (Recommended for 11" - 15" Footrest Widths)		
<input type="checkbox"/> Large (Recommended for 14" - 17" Footrest Widths)		
<input type="checkbox"/> Xtra Large (Recommended for 16" - 19" Footrest Widths)		
XCLF3 Bodypoint® Padded Velcro Adjustable.....	\$100	K0038
<input type="checkbox"/> Medium (Recommended for 12" - 15" Footrest Widths)		
<input type="checkbox"/> Large (Recommended for 16" - 20" Footrest Widths)		
XCLF1 <input type="checkbox"/> Buckle Adjustable, Black Nylon Webbing.....	\$30	K0038

RESIDUAL LIMB SUPPORT

XRSL1 <input type="checkbox"/> Residual Limb Support.....	\$395	E1020
XRSL2 <input type="checkbox"/> Residual Limb Support Pair (Both Left and Right Pad information required).....	\$790	E1020

Left Pad Width 8" 9" 10"

Right Pad Width 8" 9" 10"

Left Pad Length 10" 14"

Right Pad Length 10" 14"

BACK PACK

XBCK3 <input type="checkbox"/> Black Permobil Back Pack.....	\$95	
--	------	--

SEAT POUCH

XPCH3 <input type="checkbox"/> Black Permobil Seat Pouch.....	\$60	
XPCH4 <input type="checkbox"/> Bodypoint® Mobility Bag.....	\$100	

SPOKE GUARDS

XGRD1 <input type="checkbox"/> Clear with TiMotion Logo (Not available with Mag Rear Wheels.).....	\$135	K0065
--	-------	-------

ANTI-TIPS

XTIP1 <input type="checkbox"/> Rear Aluminum - Black.....	\$160	E0971
XTIP2 <input type="checkbox"/> User Friendly Flip-up.....	\$335	E0971
XTIP9 <input type="checkbox"/> Tip Assist.....	\$105	E0971

ACCESSORIES

XUEST1 Upper Extremity Support Tray <input type="checkbox"/> 12" to 14" OR <input type="checkbox"/> 13" to 15" Seat Widths A (Requires Armrests.).....	\$290	E0950
XLUG1 <input type="checkbox"/> Luggage Carriers (Not available with High Mount Swing Away Footrests or 1-Piece Flip-up Footrest.).....	\$145	
XGS1 <input type="checkbox"/> GRIP Solutions Lap Board.....	\$55	
XMPCT2 Neoprene Impact Guards with Ultrasuede Stripe (Not available with High Mount Footrests, 90° Hangers or Elevating Leg Rest.)		
<input type="checkbox"/> Black <input type="checkbox"/> Sapphire <input type="checkbox"/> Red Pepper <input type="checkbox"/> Burnt Orange <input type="checkbox"/> Ultraviolet <input type="checkbox"/> TiLite Nitelite Reflective.....	\$105	
XCH1 <input type="checkbox"/> Crutch Holder.....	\$225	
XAFP1 4" Logo Patch <input type="checkbox"/> Army <input type="checkbox"/> Navy <input type="checkbox"/> Air Force <input type="checkbox"/> Marines.....	\$105	

GENERAL

Permobil manufactures TiLite manual wheelchairs in a wide variety of configurations to meet the varied needs of wheelchair users. The final selection of a particular model, its options and accessories, and its measurements rests solely with the wheelchair user and advising healthcare professional. These wheelchairs must be fitted by a qualified healthcare professional. HCPCS Codes are for reference purposes only. Actual coding and coverage varies by payer. Proper HCPCS coding is not a guarantee of payment. Please verify the appropriate payer's coverage policy.

Trademarks are identified by symbols™ and ©. TiLite, TiFit, the TiLite logo, Ti, the Ti logo, The Titanium Experts, and TiShaft are registered trademarks of TiSport, LLC and are licensed to Permobil. Permobil® is a registered trademark of Permobil. Adobe®, Acrobat®, Acrobat Professional® and Reader® are registered trademarks of Adobe Systems Inc. Bodypoint® is a registered trademark of Bodypoint Inc. Kenda® is a registered trademark of Kenda Rubber Industrial Co. Ltd. Ride Designs® and Corbac® are registered trademarks of Aspen Seating, LLC. ROHO®, Low Profile® and Quadro Select® are registered trademarks of ROHO Inc. Schwalbe® is a registered trademark of Ralf Bohle GmbH. Supracor®, Stimulite® and Corbee® are registered trademarks of Supracor, Inc. The Natural-Fit® and Out-Front® are registered trademarks of Three Rivers Holdings, LLC. Varilite® is a registered trademark of Cascade Designs, Inc.

QUOTE THIS CHAIR

If you are using Adobe Acrobat, this order form may be converted into a quote request or into an order by clicking one of the buttons (this feature is available exclusively to Permobil dealers and distributors). A Quote or an Order Confirmation will be sent to you within 24 hours.

ORDER THIS CHAIR