

International TiLite XSERIES Order Form

Effective May 10, 2019 (New Items in Red)

FOLDING FRAME

Page 1 of 6

DEALER INFORMATION		RTS INFORMATION	
Dealer:	Account #:	RTS:	Phone:
PO:	Ordered By:	Email:	
Email:		SHIP TO INFORMATION	
Mark For:		Name:	Ship Via:
TiLite Sales Rep:		Address:	
TiLite Information:	Promo Code:	City:	State: Zip:
Ship Date:	Order #:	Phone:	Fax:

Please Email or Fax to the Permobil Manual Customer Service Team at tilitesales@permobil.com or 866.586.2413 / 509.586.2413

FRAME STYLE

- AXFS1 **Aero X2 Aluminum Frame** (Full Adjustability. 265 (120.2kg) Pound Weight Limit.).....**\$2,265**
- GXFS4 **2GX2 Titanium Frame** (Full Adjustability. 265 (120.2kg) Pound Weight Limit. Light Weight, High Strength and Vibration Dampening. Not Available with Frame Transit Tie-Down.).....**\$3,820**
- XFS1 **Swing Away**.....**STD**
- XFS3 **Hemi Height Frame** (Available with a Front Seat Height of 13.5" - 20" (34.3-50.8cm). Not Available with Depth Adjustable Back/Frame, 12" or 13" (30.5cm or 33cm) Seat Depth or Heavy Duty Frame.).....**NCO**
- XFS2 **Fixed Front**.....**NCO**
- XHDR1 **Heavy Duty Frame (350 (158.75kg) Pound Weight Limit.** Includes Tension Adjustable by Straps Back Upholstery. Available with 18" to 22" (45.7 to 55.9cm) Seat Widths & 16" to 20" (40.6 to 50.8cm) Seat Depths. Not Available with 90° front end) **\$545**
- XRFR1 **Reinforced Frame** (No charge when 20" (50.8cm) Rear Seat Width and 20" (50.8cm) Seat Depth are selected.).....**\$340**

TRANSIT OPTIONS

(Please refer to the Aero X2 Transit Tie-Down Option Brochure for important information regarding the Transit Tie-Down Options.)

- XTTDO1 **Aluminum Frame Transit Tie-Down** (Consists of four Tie-Down Brackets. Not Available with 2GX2, Heavy Duty Frame, Hemi Height Frame, Swing Away Tubular Armrests or Swing Away- Flip Back Tubular Armrests. Requires a Folding Stabilizer Bar unless a Depth Adjustable Backrest is selected. Requires minimum seat depth of 14" (35.6cm)).....**\$345**
- XWTB **Transport Bracket Option** (Consists of four Tie-Down Brackets. Unoccupied Use Only.) (Not Available when Swing Away frame and Heavy Duty Frame are both selected. Not available with Swing Away Tubular Armrest or Swing Away -Flip Back Tubular Armrests. Requires a minimum seat depth of 14" (35.6cm) or 15" (38.1cm) seat Depth with Hemi Height Frame.).....**\$345**

FRAME FINISHES

Natural Finishes

- XFF1 **Satin** (Available with Titanium Frame only.).....**STD**
- XSCBT1 **Satin Finish Buffing Pads**.....**\$15**
- XFF2 **Polished** (Available with Titanium Frame only.).....**\$730**
- XFF3 **Tattoos** (Tattoos on front frame tubes. Titanium frame finished in Satin Aluminum frame finished in blasted aluminum with clear coat. Tattoos will be trimmed and adjusted to fit your frame.).....**\$335**
- XFF45 **Need For Speed**
- XFF44 **Flower Garden**



XFF43 **Mosaic**



- High Gloss Paint**
- Metallic Paint**
- Pearlescent Paint**
- Matte Paint**
- Candy Paint**
- Textured Matte Paint**
- XFF8 **Super Wet Black**
- XFF14 **Ocean Blue Metallic**
- XFF17 **Midnight Blue Pearl**
- XFF19 **Black Lava**
- XFF22 **Ruby Red**
- XFF40 **Hyper Blue**
- XFF10 **TiLite Red**
- XFF15 **Tangerine Metallic**
- XFF18 **White Pearl**
- XFF27 **Titanium Grey**
- XFF23 **Azure Blue**
- XFF41 **Flame Orange**
- XFF29 **Neon Pink**
- XFF30 **Acid Green Metallic**
- XFF25 **Electric Plum**
- XFF42 **OD Green**.....**STD**



tilite.com
2701 West Court Street | Pasco, Washington 99301
509.586.6117 Tel | 800.545.2266 Toll-Free
509.586.2413 Fax | 866.586.2413 Toll-Free Fax

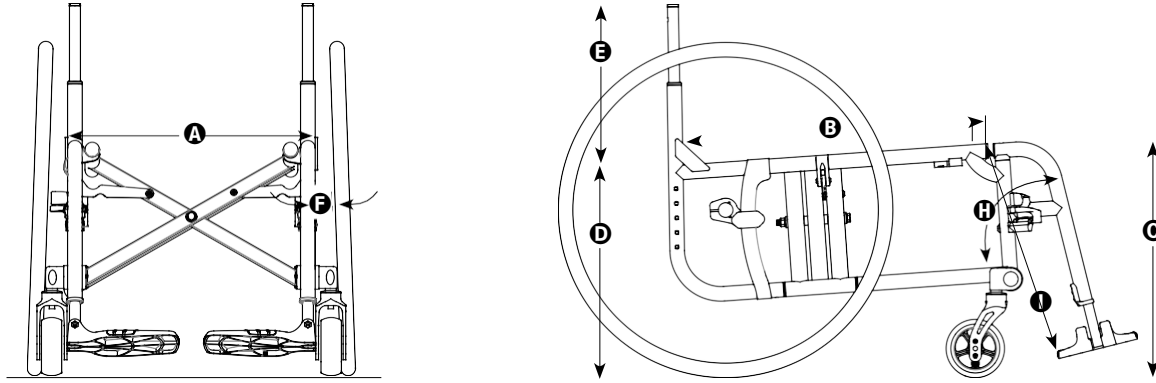
International TiLite XSERIES Order Form

Effective April 1, 2019 (New Items in Red)

FOLDING FRAME

Page 2 of 6

FRAME MEASUREMENTS



SEAT WIDTH A Measure from outside of seat tube at back post to the outside of the opposite seat tube at back post.

- XSW1 12" (30.5cm) 13" (33cm) 14" (35.6cm) 15" (38.1cm) 16" (40.6cm) 17" (43.2cm)
 18" (45.7cm) 19" (48.3cm)..... **STD**
 XSW2 20" (50.8cm) 21" (53.3cm) 22" (55.9cm) (21" (46cm) and 22" (56cm) Seat Widths A are only available with Heavy Duty Frame.) **\$495**

SEAT DEPTH B Measure from 1/2" (1cm) in front of back post to the front edge of seat sling. (12"-14" (30-35.6cm) Seat Depths B not available with 25" and 26" Rear Wheels.)

- XSD1 12" (30.5cm) 13" (33cm) 14" (35.6cm) 15" (38.1cm) 16" (40.6cm) 17" (43.2cm)
 18" (45.7cm) 19" (48.3cm)..... **STD**
 XSD2 20" (50.8cm)..... **\$520**
 XSD3 Custom Frame Depth: _____" Frame Depth Longer Than Seat Depth (Use 1" (2.5cm) increments with a maximum of 2" (5.1cm). A Custom Frame Depth with a maximum of 20" (50.8cm) is additional charge.)..... **NCO**

FRONT SEAT HEIGHT C Measure from floor to top of seat tube at front edge of seat sling Adjustable in 1/2" (1.3cm) increments. (13.5" - 14" (34.3-35.6cm) Front Seat Height C requires Hemi Height Frame Style. 20.5" - 21" (52.1-53.3cm) Front Seat Height C not available with Hemi Height Frame Style.

FRONT SEAT HEIGHT RANGES

Front Wheel Size	Front Seat Heights C	Hemi Front Seat Heights C	
3" Front Wheel	14.5" - 18.5" (36.8-47cm)	13.5" - 17.5" (34.3-44.5cm)	XFSH1 <input type="checkbox"/> 13.5" (34.3cm) <input type="checkbox"/> 14" (35.6cm) <input type="checkbox"/> 14.5" (36.8cm)
3" Front Wheel w/Glide™	16.0" - 17.5" (40.6-44.5cm)	15.0" - 17.0" (38.1-43.2cm)	<input type="checkbox"/> 15" (38.1cm) <input type="checkbox"/> 15.5" (39.4cm) <input type="checkbox"/> 16" (40.6cm)
4" Front Wheel	15.5" - 19.0" (39.4-48.3cm)	14.5" - 18.0" (36.8-45.7cm)	<input type="checkbox"/> 16.5" (41.9cm) <input type="checkbox"/> 17" (43.2cm) <input type="checkbox"/> 17.5" (44.5cm)
4" Front Wheel w/Glide™	16.5" - 18.0" (41.9-45.7cm)	15.5" - 17" (39.4-43.2cm)	<input type="checkbox"/> 18" (45.7cm) <input type="checkbox"/> 18.5" (47cm) <input type="checkbox"/> 19" (48.3cm)
5" Front Wheel	16.5" - 19.5" (41.9-49.5cm)	16.0" - 18.5" (40.6-47cm)	<input type="checkbox"/> 19.5" (49.5cm) <input type="checkbox"/> 20" (50.8cm) <input type="checkbox"/> 20.5" (52.1cm)
5" Front Wheel w/Glide™	17.5" - 18.5" (44.5-47cm)	16.5" - 18.0" (41.9-45.7cm)	<input type="checkbox"/> 21" (53.3cm)..... STD
6" Front Wheel	17.5" - 20.0" (44.5-50.8cm)	16.5" - 19.0" (41.9-48.3cm)	
6" Front Wheel w/Glide™	19.0" (48.3cm)	17.5" - 18" (44.5-45.7cm)	
8" Front Wheel	19.5" - 21.0" (49.5-53.3cm)	18.5" - 19.5" (47-50.8cm)	

REAR SEAT HEIGHT D Measure from floor to top of seat tube at back post. Adjustable in 3/8" increments.

REAR SEAT HEIGHT RANGES

Rear Wheel Size	Rear Seat Height D	
22"	13" - 18" (33-45.7cm)	XRSH1 <input type="checkbox"/> 13" (33cm) <input type="checkbox"/> 13.5" (34.3cm) <input type="checkbox"/> 14" (35.6cm)
24"	14" - 19" (35.6-48.3cm)	<input type="checkbox"/> 14.5" (36.8cm) <input type="checkbox"/> 15" (38.1cm) <input type="checkbox"/> 15.5" (39.4cm)
25"	14" - 19" (35.6-48.3cm)	<input type="checkbox"/> 16" (40.6cm) <input type="checkbox"/> 16.5" (41.9cm) <input type="checkbox"/> 17" (43.2cm)
26"	15" - 20" (38.1-50.8cm)	<input type="checkbox"/> 17.5" (44.5cm) <input type="checkbox"/> 18" (45.7cm) <input type="checkbox"/> 18.5" (47cm)
		<input type="checkbox"/> 19" (48.3cm) <input type="checkbox"/> 19.5" (49.5cm) <input type="checkbox"/> 20" (50.8cm) STD

SEAT BACK HEIGHT E/SEAT BACK/PUSH HANDLES Measure from top of back post to top of seat tube at rear of frame.

SEAT BACK TYPE

- XSB20 Fixed Angle, Adjustable-Height Seat Back..... **STD**
 XLB1 Folding Stabilizer Bar (Required with Transit Tie-Down Option unless Depth Adjustable Backrest is selected. Includes Tension Adjustable by Strap Back Upholstery.)..... **\$380**
 XSB14 Fixed Angle, Adjustable Height Seat Back w/8-Degree Bend. (Not available with Heavy Duty Frame.)..... **NCO**
 XSB18 Folding Adjustable-Angle and Height Seat Back Not Available with Hemi Height Frame, Heavy Duty Frame, 19" or 20" (48.3 or 50.8cm) Seat Depths E or Swing Away Tubular Armrest. Seat Depths E of 12"-17" (30.5-43.2cm) allow 3" (7.6cm) of rearward adjustment. Seat Depth E of 18" (45.7cm) allow 2" (5.1cm) of rearward adjustment. Requires Tension Adjustable Seat Upholstery.)..... **\$220**
 XSB16 Depth Adjustable Back/Frame (Not Available with Hemi Height Frame, Heavy Duty Frame, 19" or 20" (48.3 or 50.8cm) Seat Depths E, Swing Away Tubular or Swing Away Flip-Back Armrest. Seat Depths E of 12"-17" (30.5-43.2cm) allow 3" (7.6cm) of rearward adjustment. Seat Depth E of 18" (46cm) allow 2" (5cm) of rearward adjustment. Requires Tension Adjustable Seat Upholstery.)..... **NCO**

PUSH HANDLES

- XSB6 Integrated Push Handles..... **NCO**
 XSB7 Integrated Fold-Down Push Handles (Requires Tension Adjustable by Straps Back Upholstery. Not available with Heavy Duty Frame.)..... **\$115**
 XSB9 Bolt-On Height Adjustable Push Handles (Requires Tension Adjustable by Straps Back Upholstery. Not available with Heavy Duty Frame, Folding Adjustable-Angle and Height Seat Back, Swing Away Tubular Armrests, Swing Away - Flip Back Tubular Armrests or Ride Designs® Corbac™.)..... **\$380**

InternationalTiLite XSERIES Order Form

FRAME MEASUREMENTS

XSB20/XSB14 FIXED ANGLE ADJUSTABLE SEAT BACK HEIGHT ③ (11"- 15" Fixed Seat Back Height not available with Heavy Duty Frame, Swing Away Tubular Arms 12"-15", Bolt-On Adjustable Height Push Handles or Folding Stabilizer Bar.)

Push Handles (Selected Above)	Short	Tall	Set at: (Use 1" increments)
None	<input type="checkbox"/> 11"- 15" (27.9-38.1cm)	<input type="checkbox"/> 16"- 20" (40.6-50.8cm)	Set at: _____
Integrated	<input type="checkbox"/> 11"- 15" (27.9-38.1cm)	<input type="checkbox"/> 16"- 20" (40.6-50.8cm)	Set at: _____
Integrated Fold-Down	<input type="checkbox"/> 11"- 15" (27.9-38.1cm)	<input type="checkbox"/> 16"- 20" (40.6-50.8cm)	Set at: _____
Bolt-On Height Adj.		<input type="checkbox"/> 16"- 20" (40.6-50.8cm)	Set at: _____

XSB18 FOLDING ADJUSTABLE- ANGLE AND HEIGHT SEAT BACK ③ (Not available with a Folding Stabilizer Bar or Heavy Duty Frame.)

Push Handles (Selected Above)	Short	Medium	Tall	Set at: (Use .5" increments)
None	<input type="checkbox"/> 11"- 13" (27.9-33cm)	<input type="checkbox"/> 13.5"- 16.5" (34.3-41.9cm)	<input type="checkbox"/> 16.5"- 19.5" (41.9-49.5cm)	Set at: _____
Integrated	<input type="checkbox"/> 12.5"- 14.5" (31.8-36.8cm)	<input type="checkbox"/> 13.5"- 16.5" (34.3-41.9cm)	<input type="checkbox"/> 17"- 19.5" (43.2-50.8cm)	Set at: _____
Integrated Fold-Down	<input type="checkbox"/> 15"- 17" (38.1-4.2cm)	<input type="checkbox"/> 16"- 19" (40.6-48.3cm)	<input type="checkbox"/> 18.5"- 20.5" (47-52.1cm)	Set at: _____

CAMBER ③

XCBR8 0° 2° 4° 6° **STD**

FRONT ANGLE ③ Front Angle ③ is measured from inside of front frame tube to top of bottom frame tube.

Swing Away Front End

XFA3 70° 80° 85° (Not available with 6" Front Wheels.) 90° (Requires aluminum footplate. Not available with Heavy Duty Frame, 5" or 6" Front Wheels.) **STD**
 XFA0 Omit Hangers **NCO**

Fixed Front End

XFA6 70° 80° 85° (85° Not available with 6" Front Wheels) **STD**

SEAT TO FOOTREST ①/FOOTRESTS Measure from front edge of seat sling to top rear of footrest.

If your Front Angle ③ is **70°, 80° OR 85°** select one **Seat to Footrest ①** length and one **Footrest type:**

Standard Footrests Measurement must be at least 2" shorter than Front Seat Height ③. 70° Fixed Front has a minimum seat to footrest of 14.5"

- 14" (35.6cm) 14.5" (36.8cm) 15" (38.1cm) 15.5" (39.4cm) 16" (40.6cm) 16.5" (41.9cm)
- 17" (43.2cm) 17.5" (44.5cm) 18" (45.7cm) 18.5" (47cm) 19" (48.3cm) 19.5" (49.5cm) 20" (50.8cm)
- XFTR5 Flip-up Footrest **STD**
- XFTR6 1-Piece Flip-up Footrest - Pivot on L **OR** R (Not available with Heel Loops.) **\$170**
- XFTR7 1-Piece, Over-Center Folding Footrest (Fixed Front Only. Not available with Heel Loops.) **\$170**
- XFTR9 Depth Adjustable Flip-up Footrest **\$110**
- XFTR10 Depth & Angle Adjustable Flip-up Footrest (Available for 15"- 20" (38.1-50.8cm) Seat to Footrest ① only.) **\$270**
- XFTR11 Angle Adjustable Flip-up Footrest (Available for 15"- 20" (38.1-50.8cm) Seat to Footrest ① only.) **\$170**

High Mount Footrests (Not Available with Luggage Carriers, or Impact Guards)

- 7" (17.8cm) 7.5" (19.1cm) 8" (20.3cm) 8.5" (21.6cm) 9" (22.9cm) 9.5" (24.1cm)
- 10" (25.4cm) 10.5" (26.7cm) 11" (27.9cm) 11.5" (29.2cm) 12" (30.5cm) 12.5" (31.8cm)
- 13" (33cm) 13.5" (34.3cm) 14" (35.6cm) 14.5" (36.8cm)

- XFTR20 High Mount Flip-up **\$185**
- XFTR15 Angle Adjustable High Mount Flip-up Footrest **\$325**
- XFTR16 Depth & Angle Adjustable High Mount Flip-up Footrest **\$365**

If your Front Angle ③ is **90°**, select one **Seat to Footrest ①** length and one **Footrest type:**

- 7" (17.8cm) 8" (20.3cm) 9" (22.9cm) 10" (25.4cm) 11" (27.9cm) 12" (30.5cm) 13" (33cm)
- XFTR5 Flip-up Footrest **STD**
- XFTR9 Depth Adjustable Flip-up Footrest **\$110**
- XFTR10 Depth & Angle Adjustable Flip-up Footrest **\$270**
- XHLP1 **Heel Loops** (Not available with 13" (33cm) or narrower Seat Width ④ or 1-Piece Footrests.) **\$40**

CUSTOM CONFIGURATION OPTIONS

FRONT WHEELS (See Front Seat Height Ranges Chart on Page 2 for Front Seat Height ③ limitations.)

- XFW24 3"x1.5" LiteSpeed Billet Aluminum Wheel w/Soft Roll Tire Silver Hub **OR** Black Hub **\$175**
- XFW14 4"x.75" Plastic Wheel w/Poly Tire (Not available with Power Adaptable Frame, Heavy Duty Frame or Glide™ Single-Sided Suspension Fork.) **NCO**
- XFW3 4"x.75" Light-Up Micro-Caster (Not available with Power Adaptable Frame, Heavy Duty Frame or Glide™ Single-Sided Suspension Fork.) **\$80**
- XFW25 4"x.75" LiteSpeed Billet Aluminum Wheel w/Poly Tire Silver Hub **OR** Black Hub **\$145**
- XFW26 4"x1.5" LiteSpeed Plastic Wheel w/Soft Roll Tire (Not available with Power Assist, Power Add-on System or Heavy Duty Frame.) **\$95**
- XFW27 4"x1.5" LiteSpeed Billet Aluminum Wheel w/Soft Roll Tire Silver Hub **OR** Black Hub **\$185**
- XFW6 5"x1" Plastic Wheel w/Poly Tire (Not available with Heavy Duty Frame or with 90° Front Angle ③ or Glide™ Single-Sided Suspension Fork.) **NCO**

InternationalTiLite XSERIES Order Form

Effective May 10, 2019 (New Items in Red)

FOLDING FRAME

Page 4 of 6

CUSTOM CONFIGURATION OPTIONS

XF28 <input type="checkbox"/> 5"x1.5" LiteSpeed Plastic Wheel w/Soft Roll Tire (Not available with Power Adaptable Frame, Heavy Duty Frame or 90° Front Angle Ⓢ .)	\$95
XF30 <input type="checkbox"/> 5"x1.5" LiteSpeed Billet Aluminum Wheel w/Soft Roll Tire <input type="checkbox"/> Silver Hub OR <input type="checkbox"/> Black Hub (Not available with 90° Front Angle Ⓢ .)	\$205
XF9 <input type="checkbox"/> 6"x1" Plastic Wheel w/Poly Tire (Not available with Power Adaptable Frame, Heavy Duty Frame or 85° or 90° Front Angle Ⓢ or Glide™ Single-Sided Suspension Fork.)	NCO
XF32 <input type="checkbox"/> 6"x1.5" LiteSpeed Plastic Wheel w/Soft Roll Tire (Not available with Power Adaptable Frame, Heavy Duty Frame, 85° or 90° Front Angle Ⓢ , or Glide™ Single-Sided Fork)	\$100
XF33 <input type="checkbox"/> 6"x1.5" LiteSpeed Billet Aluminum Wheel w/Soft Roll Tire <input type="checkbox"/> Silver Hub OR <input type="checkbox"/> Black Hub (Not available with 85° or 90° Front Angle Ⓢ or Glide™ Single-Sided Suspension Fork.)	\$215
X2FW16 <input type="checkbox"/> 8"x1" Plastic Wheel w/Poly Tire (Not available with Power Assist, Power Add-on, Heavy Duty Frame or Glide™ Single-Sided Available with 70° Front Angle Ⓢ only.) . (Not available with 12"-14" Seat Depths)	NCO

FRONT FORKS

XFK1 <input type="checkbox"/> TiLite Standard Fork	STD
XGL1 <input type="checkbox"/> Out-Front Glide™ Suspension Fork (Available in Black anodize only. Not available with 8" Front Wheels or Heavy Duty Frame) Rider's Weight: <input type="checkbox"/> 125 lbs. (56.69kg) <input type="checkbox"/> 125-180 lbs.(56.69-81.64kg) <input type="checkbox"/> 180-265 lbs. (81.64-120.2kg)	\$480
XGL2 <input type="checkbox"/> Out-Front Glide™ Single-Sided Suspension Fork (Available in Black anodize only. Not available with 6" or 8" Front Wheels or Heavy Duty Frame.) Rider's Weight: <input type="checkbox"/> 125 lbs. (56.69kg) <input type="checkbox"/> 125-180 lbs.(56.69-81.64kg) <input type="checkbox"/> 180-265 lbs. (81.64-120.2kg)	\$620

ONE ARM DRIVE

XOAD1 <input type="checkbox"/> One Arm Drive (Available with 24" Mag Wheels only. Rear Seat Height, Camber or axle restrictions may apply.)	\$1,235
Drive Handrim Side (Available with standard aluminum handrim only.)	
<input type="checkbox"/> Install on Left <input type="checkbox"/> Install on Right	

REAR WHEELS (See Rear Seat Height Ranges Chart on Page 2 for Rear Seat Height **Ⓢ** limitations.)

XRW14 TiLite SHADOW™	STD
<input type="checkbox"/> 22"(501)	
<input type="checkbox"/> 24"(540)	
<input type="checkbox"/> 25"(559) (Requires 15" (38.1cm) minimum Seat Depth Ⓢ .)	
<input type="checkbox"/> 26"(590) (Requires 15" (38.1cm) minimum Seat Depth Ⓢ .)	
XRW7 Spinergy SPOX <input type="checkbox"/> Black <input type="checkbox"/> Red <input type="checkbox"/> Yellow <input type="checkbox"/> Blue <input type="checkbox"/> White	\$735
<input type="checkbox"/> 22"(501) - Std. Hub	
<input type="checkbox"/> 24"(540) - Std. Hub	
<input type="checkbox"/> 25"(559) - Std. Hub (Requires 15" (38.1cm) minimum Seat Depth Ⓢ .)	
<input type="checkbox"/> 26"(590) - Sport Hub (Requires 15" (38.1cm) minimum Seat Depth Ⓢ . Not available with Quad Release Axles.)	
XRW8 Spinergy LX (Only available with Heavy Duty Frame when 0 or 2 degree camber is selected.) <input type="checkbox"/> Black <input type="checkbox"/> Red <input type="checkbox"/> Yellow <input type="checkbox"/> Blue	\$995
<input type="checkbox"/> White <input type="checkbox"/> Go Green <input type="checkbox"/> Bright Orange <input type="checkbox"/> Flamingo Pink	
<input type="checkbox"/> 22"(501) - Std. Hub	
<input type="checkbox"/> 24"(540) - Std. Hub	
<input type="checkbox"/> 25"(559) - Std. Hub (Requires 15" (38.1cm) minimum Seat Depth Ⓢ .)	
<input type="checkbox"/> 26"(590) - Sport Hub (Requires 15" (38.1cm) minimum Seat Depth Ⓢ . Not available with Quad Release Axles.)	
XRW16 Spinergy Carbon Blade (Not available with Heavy Duty Frame.)	\$1,480
<input type="checkbox"/> 24"(540)	
<input type="checkbox"/> 25"(559) (Requires 15" (38.1cm) minimum Seat Depth Ⓢ .)	
XRW17 X-Core Mag (Not available with Heavy Duty Frame, Short Tabs, Quad Release Axles, Spoke Guards or Omit Handrims Option Requires Aluminum Silver Anodized Handrims)	\$115
<input type="checkbox"/> 22"(501)	
<input type="checkbox"/> 24"(540)	

AXLES

XAXL1 <input type="checkbox"/> Stainless Quick Release	STD
XAXL2 <input type="checkbox"/> Titanium Quick Release	\$260
XAXL3 <input type="checkbox"/> Quad Release (Not available with Mag or 26"(590) Spinergy Spox or Spinergy LX Rear Wheels.)	\$155

PNEUMATIC REAR TIRES

XRTR1 <input type="checkbox"/> Treaded (Not available with 25"(559) Rear Wheels.)	STD
XRTR2 <input type="checkbox"/> Airless Inserts	\$95
XRTR3 <input type="checkbox"/> 25"(559) Primo Treaded (Standard with 25"(559) Rear Wheels.)	STD
XRTR4 <input type="checkbox"/> Primo	NCO
XRTR8 <input type="checkbox"/> 24"(540), 25"(559) and 26"(590) Schwalbe® Marathon Plus Evolution	\$105
XRTR9 <input type="checkbox"/> 24"(540) and 25"(559) Schwalbe® Slick Tires	\$105
XRTR24 <input type="checkbox"/> 24"(540) Kenda Kobra Knobby Tires	\$90

SOLID REAR TIRES

XRTR22 <input type="checkbox"/> 22"(501), 24"(540) and 25"(559) Primo Express (Not available with Spinergy Carbon Blade Rear Wheels.)	\$110
XRTR23 <input type="checkbox"/> 24"(540) and 25"(559) Primo Active	\$135

HANDRIMS

Handrims by OUT-FRONT®

XRIM1 <input type="checkbox"/> Aluminum – Silver Anodized	STD
XRIM21 <input type="checkbox"/> Aluminum – Black Anodized	\$55
XRIM12 <input type="checkbox"/> Titanium – Satin Finish (Not available with 20"(451) or 22"(501) Rear Wheels, or 24"(540) Knobby tires.)	\$450

InternationalTiLite XSERIES Order Form

Effective May 10, 2019 (New Items in Red)

FOLDING FRAME

Page 5 of 6

CUSTOM CONFIGURATION OPTIONS

The Natural-Fit® (Original, Larger Profile)	
XRIM14 <input type="checkbox"/> Standard Grip (Not available with Short Tabs or Spinergy Carbon Blade Rear Wheels.)	\$355
XRIM15 <input type="checkbox"/> Super Grip (Not available with Short Tabs or Spinergy Carbon Blade Rear Wheels.)	\$400
XRIM16 <input type="checkbox"/> Without Thumb Grip	\$330
The Natural-Fit® LT (Reduced Weight, Smaller Profile)	
XRIM17 <input type="checkbox"/> Standard Grip (Not available with Short Tabs or Spinergy Carbon Blade Rear Wheels.)	\$385
XRIM18 <input type="checkbox"/> Super Grip (Not available with Short Tabs or Spinergy Carbon Blade Rear Wheels.)	\$440
XRIM19 <input type="checkbox"/> Without Thumb Grip	\$360
XRIM10 <input type="checkbox"/> The Surge (All-In-One Oval with Gription™ Strip, Larger Profile)	\$365
XRIM11 <input type="checkbox"/> The Surge LT (All-In-One Oval with Gription™ Strip, Smaller Profile)	\$395
XRIM20 <input type="checkbox"/> Q-Grip (Exclusive High-Friction, Anti-Slip Coating)	\$335

Additional Handrim Options

XRIM5 <input type="checkbox"/> Plastic Coated – Black	\$130
XRIM22 <input type="checkbox"/> Omit Handrims	NCO

Tab Length

XRIM7 <input type="checkbox"/> Long Tabs	STD
XRIM8 <input type="checkbox"/> Short Tabs (Not available with Mag Rear Wheels or The Natural-Fit® Handrims with Thumb Grip.)	\$20

WHEEL LOCKS

Wheel Locks by OUT-FRONT®  (Composite wheel locks not always compatible with 12"-13" (30-33cm) Seat Depth. Uni-locks will be substituted at no charge.)

XWLK7 <input type="checkbox"/> Compact Composite Push to Lock	NCO
XWLK8 <input type="checkbox"/> Compact Composite Pull to Lock	NCO
XWLK10 <input type="checkbox"/> Extension Handles for Compact Composite Push/Pull to Lock	\$90
XWLK9 <input type="checkbox"/> Composite Scissor Lock (Not available on Aero X2 Swing Away.)	\$145

Additional Wheel Locks

XWLK3 Uni-Lock Set At: <input type="checkbox"/> Push OR <input type="checkbox"/> Pull	\$165
XWLK4 <input type="checkbox"/> Extension Handles for Uni-Lock	\$90
XWLK15 <input type="checkbox"/> Grade Aids Push to Lock (Not available with solid rear tires)	\$180

BACK UPHOLSTERY

XBUP1 <input type="checkbox"/> Padded Nylon (Black Only. Not available with Heavy Duty Frame, Folding Back, Folding Stabilizer Bar, Depth Adjustable Frame, Fold-Down Push Handles or Ultrasuede Backrest Stripe.)	STD
Tension Adjustable by Straps (Included with Heavy Duty Frame. Required with Aluminum Fendered Side Guards and Fold-Down Push Handles.)	
XBUP3 <input type="checkbox"/> Padded Nylon	\$110
XBUP5 <input type="checkbox"/> AIR Breathable Upholstery (Not available with Ultrasuede Backrest Stripe.)	\$195
XUPC3 Ultrasuede Backrest Stripe <input type="checkbox"/> Black	\$100
XBUP0 <input type="checkbox"/> Omit Back Upholstery	NCO

SEAT UPHOLSTERY

XSUP4 <input type="checkbox"/> Tension Adjustable (Black only)	STD
XSUP0 <input type="checkbox"/> Omit Seat Upholstery	NCO


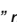
SEAT CUSHION

XCSH2 <input type="checkbox"/> Comfort Curve Cushion	\$115
--	-------

SIDE GUARDS

XSDG1 <input type="checkbox"/> Cloth (Not available with Ride Designs® Corbac™ Back Support.)	\$100
Aluminum	
XSDG2 <input type="checkbox"/> Rigid Removable <input type="checkbox"/> Small OR <input type="checkbox"/> Std	\$195
XSDG3 <input type="checkbox"/> Quad Removable w/Hole <input type="checkbox"/> Small OR <input type="checkbox"/> Std	\$205
XSDG6 <input type="checkbox"/> Fendered Adjustable (Requires Tension Adjustable by Straps Back Upholstery. Not available with Angle-Adjustable Fold-Down Seat Backs.)	\$335
Carbon Fiber	
XSDG7 <input type="checkbox"/> Rigid Removable <input type="checkbox"/> Small OR <input type="checkbox"/> Std	\$305
XSDG8 <input type="checkbox"/> Quad Removable w/Hole <input type="checkbox"/> Small OR <input type="checkbox"/> Std	\$315
XSDG11 <input type="checkbox"/> Fendered Adjustable (Requires Tension Adjustable by Straps Back Upholstery. Not available with Angle-Adjustable Fold-Down Seat Backs.)	\$450

ARMRESTS (Desk Arms come with built-in Side Guards.)

XARM1 Swing Away Tubular (Not available with Heavy Duty Frame, Folding Stabilizer Bar with Short or Medium Seat Back Height ranges or Depth Adjustable Back.)	\$215
<input type="checkbox"/> 9" - 12" (22.9 to 30.5cm) OR <input type="checkbox"/> 12" - 15" (30.5 to 38.1cm)	
XARM4 <input type="checkbox"/> Swing Away - Flip Back Tubular (Not available with Heavy Duty Frame, Folding Stabilizer Bar or Depth Adjustable Back.)	\$310
XARM2 Removable Height Adjustable Desk Arm with Rigid Side Guard (Requires 14" minimum Seat Depth  .)	\$335
<input type="checkbox"/> 9" to 12" (22.9 to 30.5cm) OR <input type="checkbox"/> 12" to 15" (30.5 to 38.1cm)	
<input type="checkbox"/> Standard Length Pad (10") OR <input type="checkbox"/> Full Length Pad (14")	
XARM3 Removable Height Adjustable Desk Arm with Rigid Side Guard and Transfer Loop (Requires 16" minimum Seat Depth  .)	\$365
<input type="checkbox"/> 9" to 12" (22.9 to 30.5cm) OR <input type="checkbox"/> 12" to 15" (30.5 to 38.1cm)	
<input type="checkbox"/> Standard Length Pad (10") OR <input type="checkbox"/> Full Length Pad (14")	

InternationalTiLite XSERIES Order Form

Effective May 10, 2019 (New Items in Red)

FOLDING FRAME

Page 6 of 6

CUSTOM CONFIGURATION OPTIONS

Available Armrest Option

XARM5 Covered in Black Ultrasuede (Not available with Desk Arms)..... \$110

SEAT BELTS

XBLT1 Velcro Adjustable, Black Nylon Webbing..... \$45
 XBLT2 Bodypoint® 2" Push-Button Buckle (Auto-Style.)..... \$100
 XBLT4 Bodypoint® 1" Wide Push-Button Buckle Padded (Auto-Style.) (Not available with 19" - 22" Rear Seat Widths A.)..... \$185
 XBLT5 Bodypoint® 1.5" Wide Push-Button Buckle Padded (Auto-Style.) (Not available with 19" - 22" Rear Seat Widths A.)..... \$175
 XBL10 Bodypoint® Optional Band Clamp Mounting Hardware..... \$20

CALF STRAP

XCLF2 Velcro Adjustable..... \$35
 Small (Recommended for 9" - 12" (22.9-30.5cm) Footrest Widths)
 Medium (Recommended for 11" - 15" (27.9-38.1cm) Footrest Widths)
 Large (Recommended for 14" - 17" (35.6-43.2cm) Footrest Widths)
 Xtra Large (Recommended for 16" - 19" (40.6-48.3cm) Footrest Widths)
 XCLF3 Bodypoint® Padded Velcro Adjustable..... \$105
 Medium (Recommended for 12" - 15" (30.5-38.1cm) Footrest Widths)
 Large (Recommended for 16" - 20" (40.6-50.8cm) Footrest Widths)
 XCLF1 Buckle Adjustable, Black Nylon Webbing..... \$25

RESIDUAL LIMB SUPPORT

XRSL1 Residual Limb Support \$405
 XRSL2 Residual Limb Support Pair (Both Left and Right Pad information required)..... \$815
 Left Pad Width 8" 9" 10" Right Pad Width 8" 9" 10"
 Left Pad Length 10" 14" Right Pad Length 10" 14"

BACKPACK

XBCK3 Black Permobil Backpack..... \$95

SEAT POUCH

XPCK3 Black Permobil Seat Pouch..... \$55

SPOKE GUARDS

XGRD1 Clear with TiMotion Logo (Not available with Mag Rear Wheels.)..... \$135

ANTI-TIPS

XTIP1 Rear Aluminum - Black..... \$160
 XTIP7 Black Aluminum Single..... \$80
 Mount on Left Side or Right Side..... NCO
 XTIP2 User Friendly Flip-up..... \$335
 XTIP8 User Friendly Flip-up Single..... \$165
 Mount on Left Side or Right Side..... NCO
 XTIP9 Tip Assist..... \$105

ACCESSORIES

XUEST1 Upper Extremity Support Tray 12" to 14" (30.5-35.6cm) OR 13" to 15" (33-38.1cm) Seat Widths A (Requires Armrests.) \$285
 XLUG1 Luggage Carriers (Not available with High Mount Swing Away Footrests or 1-Piece Flip-up Footrest.)..... \$145
 XMPCT2 Neoprene Impact Guards with Ultrasuede Stripe (Not available with High Mount Footrests, 90° Hangers or Elevating Leg Rest.)
 Black..... \$105
 XCH1 Crutch Holder..... \$145

GENERAL

TiLite manufactures a wide variety of wheelchairs to meet the varied needs of wheelchair users. The final selection of a particular model, its options and accessories, and its measurements rests solely with the wheelchair user and advising healthcare professional. TiLite wheelchairs must be fitted by a qualified healthcare professional. HCPCS Codes are for reference purposes only. Actual coding and coverage varies by payer. Proper HCPCS coding is not a guarantee of payment. Please verify the appropriate payer's coverage policy.

Get the latest order forms at tilite.com. Prices, standard features, options and accessories are subject to change without notice. All rights reserved. Trademarks are identified by symbols™ and ©. TiLite, TiFit, the TiLite logo, Ti, the Ti logo, The Titanium Experts, and TiShaft are registered trademarks of TiSport, LLC and are licensed to TiLite, LLC. Adobe®, Acrobat®, Acrobat Professional® and Reader® are registered trademarks of Adobe Systems Inc. Bodypoint® is a registered trademark of Bodypoint Inc. Kenda® is a registered trademark of Kenda Rubber Industrial Co. Ltd. Ride Designs® and Corbac® are registered trademarks of Aspen Seating, LLC. ROHO®, Low Profile® and Quadro Select® are registered trademarks of ROHO Inc. Schwalbe® is a registered trademark of Ralf Bohle GmbH. Supracor®, Stimulite® and Corbee® are registered trademarks of Supracor, Inc. The Natural-Fit® and Out-Front® are registered trademarks of Three Rivers Holdings, LLC. Variilite® is a registered trademark of Cascade Designs, Inc.

QUOTE THIS CHAIR

If you are using Adobe Acrobat, this order form may be converted into a quote request or into an order by clicking one of the buttons (this feature is available exclusively to TiLite dealers and distributors). A TiLite Quote or a TiLite Order Confirmation will be sent to you within 24 hours.

ORDER THIS CHAIR