

Account Information

Date _____ Account Number _____

Patient First Name _____ Last Name _____

Phone Number _____ Fax Number _____

Email Address _____ Primary Contact _____

P.O. Number _____

Ship To

First Name _____ Last Name _____

Address _____

City _____ State/Zip Code _____

Desired Cushion Width:

or:

Back: _____ inches

Use digital file width

Seat: _____ inches

As narrow as possible

OK to Wedge to Desired Width?

Yes No

* To avoid production delays mark "OK to Wedge". The mounting surface will be cut to the desired overall width and the cushion will be cut as narrow as possible (ANAP) and wedged to the mounting surface width.

Desired Back-to-Seat Angle:

Check One of the Following:

Provide quote only*

Begin fabrication

Provide quote and begin fabrication immediately*

*Quote pricing valid for six months from date quoted.

OBSS/ Tru-Shape Packages

Order Form

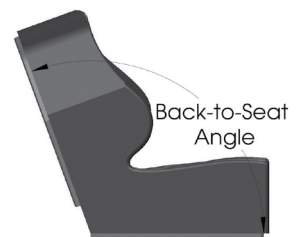
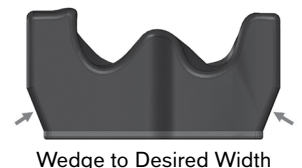
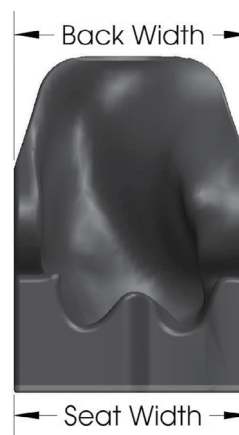
Effective Date 04/12/2018

The following pieces are needed before we can begin your order:

- completed order form
- purchase order number
- digital file

**Permobil
Fabrication Services**

Email: fabrication@ottobock.com
orders.obss@permobil.com



OBSS® Back and Seat Cushion Pre-configured Packages			
OBSS Back Cushion—Package			
	HCPCS	Part #	MSRP
OBSS Back Cushion—COMPLETE WITHOUT MID-FIT Includes STANDARD foam, reinforced and thinned laterals, vinyl spray coating and any options you choose from below.	E2617	6364931	\$1,832
OBSS Back Cushion—COMPLETE WITH MID-FIT Includes STANDARD foam, reinforced and thinned laterals, vinyl spray coating, any options you choose from below, PLUS the mid-fit process.	E2617	6364935	\$1,928
MID-FIT PROCESS: Carved foam with mounting option only (no spray or reinforcements) sent out to customer for initial patient fitting. Product is then returned to Ottobock for final modifications and finishing.			
NOTE: Packages approved by PDAC and therefore cannot be modified. Any option not included that has a separate charge can always be added.			

ALSO INCLUDES the following additional items. Please check appropriate box for your choice of each item.

- Reinforced and Thinned Laterals** (default is thinned and reinforced if nothing is selected):

Thin left lateral	Thin right lateral	No thinning
Reinforce left lateral	Reinforce right lateral	No reinforcing
- Removable Fabric Cover with Pattern** (choose one fabric/default is Dartex if nothing is selected):

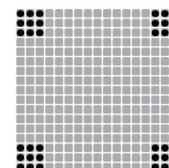
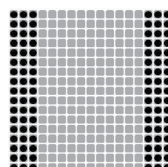
No cover	Dartex (moisture barrier)	Reversed Dartex
Darlex (breathable)	Neoprene	Spacer fabric
- Mounting Options** (choose one/default is plywood if nothing is selected):

No mounting	1/2" plywood	1/4" ABS plastic
-------------	--------------	------------------
- T-nut Configuration for BACK** (choose one/default is 3 columns if nothing is selected):

No T-Nuts	Three columns (default)	Four corners
-----------	-------------------------	--------------

(T-nut size—1/4–20)

Default placement of t-nuts:
 1" from top, 1" from bottom
 1" from sides and 1" between rows and columns



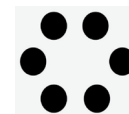
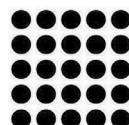
- T-nut Configuration for HEADREST** (choose one):

No headrest T-Nuts	Standard 5x5 (default)	Whitmeyer
--------------------	------------------------	-----------

(T-nut size—1/4–20)

1" between t-nuts

Distance from top: (inches) (default is 3")



Center Offset to patient's left: inches Offset to patient's right: inches

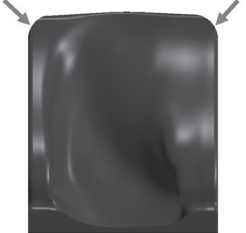
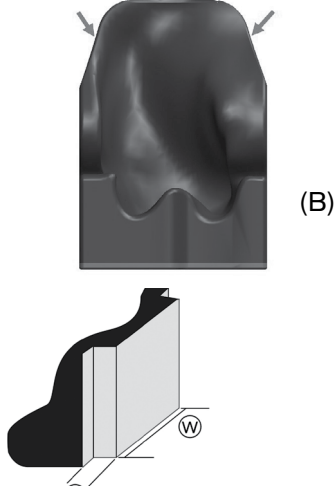
Universal Adapter Plate allows you to mount most mfg. headrests to OBSS cushions

continued on the next page

OBSS Back Cushion—Package continued from the previous page

6. Mounting Kits (choose one):			
471C49=NT-K-FH78	Flush mount kit 7/8"		No hardware
471C49=NT-K-DH178	1" drop hook with stops 7/8"	471C49=NT-K-FH88	Flush mount kit 1" (default)
471C49=NT-K-DH278	2" drop hook with stops 7/8"	471C49=NT-K-DH188	1" drop hook with stops 1"
471C49=NT-K-DH378	3" drop hook with stops 7/8"	471C49=NT-K-DH288	2" drop hook with stops 1"
	TMAX hardware (only with order of TMAX base)	471C49=NT-K-DH388	3" drop hook with stops 1"
	Velcro	470C49=KAH5L4J88	Adj. hook hdwe. kit—5 hole L brkt/4 hole J brkt for 1" tubing
470C49=KAH5L2J88	Adj. hook hdwe. kit—5 hole L brkt/2 hole J brkt for 1" tubing		

Additional Options (price not included in package):		
Relief of Seating Surface (must relieve BOTH cushions same amount to guarantee contours match): <div style="display: flex; justify-content: space-around; width: 100%;"> 1/8" 1/4" 1/2" 3/4" </div>	6364422	\$112
Soft Spot (1" foam) Quantity: <small>(must be noted on digital file, using "where marks", specific measurements or marked at mid-fit)</small>	6364311	\$249
Ventilation Holes (breathable spacer fabric or Darlex covers recommended): Evenly spaced where marks on digital file marked at mid-fit	6364330	\$355
Soft Spot Overlay (1" foam) <small>(must be noted on digital file, using "where marks" and specific measurements)</small>	6364325	\$350

7. Back Profile		N/C
<p>A Round top corners (3" radius)</p>  <p style="text-align: center;">(A)</p> <p>Width between canes: (inches)</p> <p>Depth of canes: (inches)</p>	<p>B Taper profile</p>  <p style="text-align: center;">(B)</p>	
2nd Removable Fabric Back Cover (choose fabric type): Neoprene Spacer fabric Eastex/Darlex Dartex moisture barrier fabric, incontinent resistant (fabric side up) Reversed Dartex (moisture barrier side up)		6364340 \$239

OBSS® Back and Seat Cushion Pre-configured Packages			
OBSS Seat Cushion—Package	HCPCS	Part #	MSRP
OBSS Seat Cushion—COMPLETE WITHOUT MID-FIT Includes STANDARD foam, reinforced and thinned adductors, pelvic belt notches, soft spot, seat undercut, vinyl spray coating, and any options you choose from below.	E2609	6364933	\$2,135
OBSS Seat Cushion—COMPLETE WITH MID-FIT Includes STANDARD foam, reinforced and thinned adductors, pelvic belt notches, soft spot, seat undercut, vinyl spray coating, any options you choose from below, PLUS the mid-fit process.	E2609	6364937	\$2,232

MID-FIT PROCESS: Carved foam with mounting option only (no spray or reinforcements) sent out to customer for initial patient fitting. Product is then returned to Ottobock for final modifications and finishing.

ALSO INCLUDES the following additional items. Please check appropriate box for your choice of each item.

1. Reinforced and Thinned Adductors

Thin left adductor	Thin right adductor	No thinning
Reinforce left adductor	Reinforce right adductor	No reinforcing

2. Removable Fabric Cover with Pattern (choose one fabric/default is Eastex if nothing is selected):

No cover	Dartex (moisture barrier)	Reversed Dartex
Darlex (breathable)	Neoprene	Spacer fabric

3. Mounting Options (choose one/default is plywood if nothing is selected):

No mounting	1/2" plywood	1/4" ABS plastic
-------------	--------------	------------------

4. T-nut Configuration for SEAT (choose one/default is 3 columns if nothing is selected):

No T-Nuts	Three columns (default)	Four corners
-----------	-------------------------	--------------

(T-nut size—1/4–20)

Default placement of t-nuts:
 1" from top, 1" from bottom
 1" from sides and 1" between rows and columns

5. Belt Notches (default is standard if nothing is selected):

Belt notches—standard (2" long, 2 1/2" deep)	No belt notches	Mark at mid-fit
--	-----------------	-----------------

6. Soft Spot (default is standard if nothing is selected):

Soft spot—standard (I.T. area)	As digitized
No soft spot	Mark at mid-fit

7. Undercut (default is standard if nothing is selected):

Undercut—standard (1 1/2" behind front; 3/4" below trough)	No undercut
--	-------------

8. Mounting Kits (choose one):

471C49=NT-K-FH78	Flush mount kit 7/8"	No hardware	
471C49=NT-K-DH178	1" Drop hook with stops 7/8"	471C49=NT-K-FH88	Flush mount kit 1" (default)
471C49=NT-K-DH278	2" Drop hook with stops 7/8"	471C49=NT-K-DH188	1" drop hook with stops 1"
471C49=NT-K-DH378	3" Drop hook with stops 7/8"	471C49=NT-K-DH288	2" drop hook with stops 1"
	TMAX hardware (only with order of TMAX base)	471C49=NT-K-DH388	3" drop hook with stops 1"
	Velcro	470C49=KAH5L4J88	Adj. hook hdwe. Kit—5 hole L brkt/4 hole J brkt for 1" tubing
470C49=KAH5L2J88	Adj. hook hdwe. Kit—5 hole L brkt/2 hole J brkt for 1" tubing		

continued on the next page

OBSS Seat Cushion—Package continued from the previous page

Additional Options (price not included in package)			Part #	MSRP
Relief of Seating Surface (must relieve BOTH cushions same amount to guarantee contours match): 1/8" 1/4" 1/2" 3/4"			6364422	\$112
Ventilation Holes (breathable spacer fabric or Darlex covers recommended): Evenly spaced Where marks on digital file			6364330	\$355
Soft Spot Overlay (1" foam) (must be noted on digital file, using "where marks" and specific measurements)			6364325	\$350
Rail Cuts for Seat Frame Clearance Width between canes: (inches) Depth of canes: (inches)				N/C
2nd Removable Fabric Seat Cover (choose fabric type): Neoprene Spacer fabric Darlex Dartex moisture barrier fabric, incontinent resistant (fabric side up) Reversed Dartex (moisture barrier side up)			6364410	\$239
Notch Rear Seat Corners Width: (inches) Length: (inches)				N/C
Follow Digitized Front Line				N/C

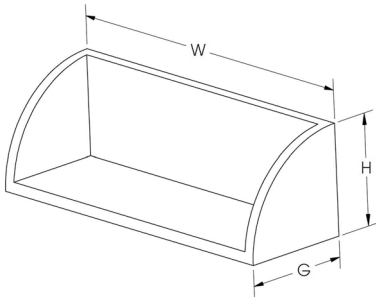
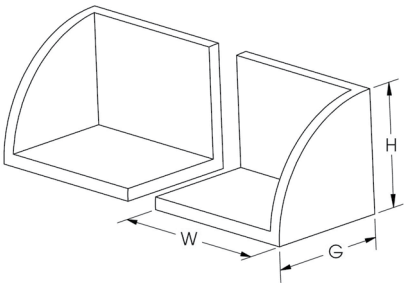
Accessories					
Chest Belts					
Padded H-Belt	E0960	Extra Small: 471C49=PB-HBXS Small: 471C49=PB-HBS Large: 471C49=PB-HBL	Medium: 471C49=PB-HBM Extra Large: 471C49=PB-HBXL	\$156	
Dynamic H-Belt	E0960	Small: 471C49=PB-DHBS Large: 471C49=PB-DHBL	Medium: 471C49=PB-DHBM Extra Large: 471C49=PB-DHBXL	\$188	
Butterfly chest belt	E0960	Extra Small: 471C49=PB-BFXS Medium: 471C49=PB-BFM	Small: 471C49=PB-BFS Large: 471C49=PB-BFL	\$171	
Dynamic butterfly chest belt	E0960	Extra Small: 471C49=PB-DBFXS Small: 471C49=PB-DBFS Large: 471C49=PB-DBFL	Medium: 471C49=PB-DBFM Extra Large: 471C49=PB-DBFXL	\$201	
Pelvic Belts					
	471C49=PB-PHB-P	E0978	Padded hip belt – pediatric – 1 1/2" x 44" with auto style buckle	\$45	
	471C49=PB-PHB-A	E0978	Padded hip belt – adult – 2" x 48" with auto style buckle	\$54	
Padded hip belt – center pull		E0978	1" Mini Metal Buckle: 471C49=PB-PHBXS-CP Small: 471C49=PB-PHBS-CP Large: 471C49=PB-PHBL-CP	Medium: 471C49=PB-PHBM-CP Extra Large: 471C49=PB-PHBXL-CP	\$112
Four point hip belt – center pull		E0978	Extra Small: 471C49=PB-4PXS-CP Medium: 471C49=PB-4PM-CP	Small: 471C49=PB-4PS-CP Large: 471C49=PB-4PL-CP	\$137
Headrests					
Concave padded headrest for two-point hardware		E0955	Small: 471C49=HR-CPAD-S Large: 471C49=HR-CPAD-L	Medium: 471C49=HR-CPAD-M	\$198
Concave padded headrest for multi-axis hardware		E0955	Small: 471C49=CPAD-S-MA Large: 471C49=CPAD-L-MA	Medium: 471C49=CPAD-M-MA	\$198
Adjustable concave headrest for two-point hardware		E0955	471C49=HR-ACPAD		\$301
Adjustable concave headrest for multi-axis hardware		E0955	471C49=HR-ACPAD-MA		\$327
Hardware (headrest)					
Rock-n-lock with two-point attachment		E1028	4" Curved Extension: 471C49=HR-RLBRKT-4 6" Curved Extension: 471C49=HR-RLBRKT-6 8" Curved Extension: 471C49=HR-RLBRKT-8		\$431
Flip down rock-n-lock with two-point attachment		E1028	4" Curved Extension: 471C49=HR-FDBRKT-4 6" Curved Extension: 471C49=HR-FDBRKT-6 8" Curved Extension: 471C49=HR-FDBRKT-8		\$489

Miscellaneous		
	Part #	MSRP
Qty:		
Black patch paint—latex free*	635C15=0.025-7	\$19
Sample foam block	6364400	\$15
Digitizing service fee** (from plaster molds sent to Permobil)	481A00=2219	\$357
Sewing pattern only	6364336	\$167
Replacement pattern from existing cover	6364305	\$99

* For resealing modified cushion (8-oz. can).

* Shipped as repair material in individual box—add \$20 hazardous material handling charge.

** No discounts apply.

Foot Supports [K0108] 471C49=															
Footboxes															
Mounting Options		Double Leg Footbox \$518				Single Leg Footbox \$603									
			W	D	H		W	D	H						
Bolt to footplate		Small	FB-DLS	11	x	8	x	7	Small	FB-SLS	5	x	8	x	7
Bolt to solid seat (fixed angle)		Medium	FB-DLM	13	x	10	x	9	Medium	FB-SLM	6	x	10	x	9
Other:		Large	FB-DLL	15	x	12	x	11	Large	FB-SLL	7	x	12	x	11
 		Custom	FB-DLC		x		x	Custom	FB-SLC		x		x		x