

# TiLite AERO X Order Form

Effective April 1, 2019 (New Items in Red)

FOLDING FRAME

Page 1 of 6

DEALER INFORMATION		RTS INFORMATION	
Dealer:	Account #:	RTS:	Phone:
PO:	Ordered By:	Email:	
Email:		SHIP TO INFORMATION	
Mark For:		Name:	Ship Via:
TiLite Sales Rep:		Address:	
TiLite Information:	Promo Code:	City:	State: Zip:
Ship Date:	Order #:	Phone:	Fax:

**Please Email or Fax to the Permobil Manual Customer Service Team at [tilitesales@permobil.com](mailto:tilitesales@permobil.com) or 866.586.2413 / 509.586.2413**

## FRAME STYLE

- AXFS1  **Aero X2 Aluminum Frame** (Full Adjustability. 265 Pound Weight Limit.)..... **\$2,390 K0005**
- G2FS1  **2GX2 Titanium Frame Upgrade** (Full Adjustability. 265 Pound Weight Limit. Light Weight, High Strength and Vibration Dampening. Not Available with Frame Transit Tie-Down.)..... **\$1,875**
- XFS1  **Swing Away**..... **STD K0005**
- XFS3  **Hemi Height Frame** (Available with a Front Seat Height of 13.5" - 20" (34-51cm). Not Available with Depth Adjustable Back/Frame, 12" or 13" Seat Depth or Heavy Duty Frame.)..... **NCO**
- XFS2  **Fixed Front**..... **NCO K0005**
- XHDR1  **Heavy Duty Frame (350 Pound Weight Limit. Includes Tension Adjustable by Straps Back Upholstery. Available with 18" to 22" Seat Widths and 16" to 20" Seat Depths. Not Available with 90° front end)**..... **\$435**
- XPWR1  **Power Adaptable Frame** (No charge when 20" Rear Seat Width **A** and 20" Seat Depth **B** are selected. Requires LiteSpeed Billet Aluminum Front Wheels and 0 degree Camber. Not available with Single-Sided Forks).... **\$340**
- XRFR1  **Reinforced Frame** (No charge when 20" Rear Seat Width and 20" Seat Depth are selected.)..... **\$340**
- XMAXSD1  **Permobil Smart Drive MX2+**..... **\$7,131 E0986**
- XMAXSD2 PushTracker Size  Small  Medium  Large..... **STD**
- XMAXSD4  Carrying Bag..... **\$78**
- XMAXSD5  Thumb Throttle Buttons..... **\$437**

## TRANSIT OPTIONS

(Please refer to the Aero X2 Transit Tie-Down Option Brochure for important information regarding the Transit Tie-Down Options.)

- XTTDO1  **Aluminum Frame Transit Tie-Down** (Consists of four Tie-Down Brackets. Not Available with 2GX2, Heavy Duty Frame, Hemi Height Frame, Swing Away Tubular Armrests or Swing Away- Flip Back Tubular Armrests. Requires a Folding Stabilizer Bar unless a Depth Adjustable Backrest is selected. Requires minimum seat depth of 14")..... **\$335**
- XWTB  **Transport Bracket Option** (Consists of four Tie-Down Brackets. Unoccupied Use Only.) (Not Available when Swing Away frame and Heavy Duty Frame are both selected. Not available with Swing Away Tubular Armrest or Swing Away -Flip Back Tubular Armrests. Requires a minimum seat depth of 14" or 15" seat Depth with Hemi Height Frame.)..... **\$350**

## FRAME FINISHES

### Natural Finishes

- XFF1  **Satin** (Available with Titanium Frame only.)..... **STD**
- XSCBT1  **Satin Finish Buffing Pads**..... **\$20**
- XFF2  **Polished** (Available with Titanium Frame only.)..... **\$795**
- XFF3  **Tattoos** (Tattoos on front frame tubes. Titanium frame finished in Satin . Aluminum frame tattooed in blasted aluminum with clear coat. Tattoos will be trimmed and adjusted to fit your frame.)..... **\$335**

XFF45  **Need For Speed**

XFF44  **Flower Garden**



XFF43  **Mosaic**



- |                             |  |   |   |
|-----------------------------|--|---|---|
| <b>High Gloss Paint</b>     | XFF8 <input type="checkbox"/> Super Wet Black      | XFF10 <input type="checkbox"/> TiLite Red         | XFF29 <input type="checkbox"/> Neon Pink                |
| <b>Metallic Paint</b>       | XFF14 <input type="checkbox"/> Ocean Blue Metallic | XFF15 <input type="checkbox"/> Tangerine Metallic | XFF30 <input type="checkbox"/> Acid Green Metallic      |
| <b>Pearlescent Paint</b>    | XFF17 <input type="checkbox"/> Midnight Blue Pearl | XFF18 <input type="checkbox"/> White Pearl        |   |
| <b>Matte Paint</b>          | XFF19 <input type="checkbox"/> Black Lava          | XFF27 <input type="checkbox"/> Titanium Grey      |   |
| <b>Candy Paint</b>          | XFF22 <input type="checkbox"/> Ruby Red            | XFF23 <input type="checkbox"/> Azure Blue         | XFF25 <input type="checkbox"/> Electric Plum            |
| <b>Matte Textured Paint</b> | XFF40 <input type="checkbox"/> Hyper Blue          | XFF41 <input type="checkbox"/> Flame Orange       | XFF42 <input type="checkbox"/> OD Green..... <b>STD</b> |

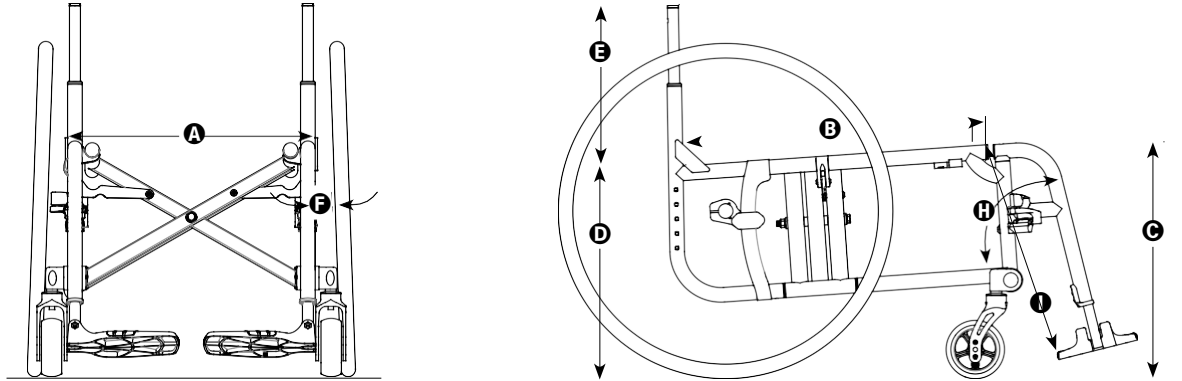
## FRAME MEASUREMENTS

- SEAT WIDTH **A**** Measure from outside of seat tube at back post to the outside of the opposite seat tube at back post.
- XSW1  12"  13"  14"  15"  16"  17"  18"  19"..... **STD**
- XSW2  20"  21"  22" (21" and 22" Seat Widths **A** are only available with Heavy Duty Frame.)..... **\$495 E2201**



Permobil.com  
 2701 West Court Street | Pasco, Washington 99301  
 509.586.6117 Tel | 800.545.2266 Toll-Free  
 509.586.2413 Fax | 866.586.2413 Toll-Free Fax

## FRAME MEASUREMENTS



**SEAT DEPTH B** Measure from 1/2" in front of back post to the front edge of seat sling. (12"-14" Seat Depths B not available with 25" (559) and 26" (560)

Rear Wheels.)

- XSD1  12"  13"  14"  15"  16"  17"  18"  19" ..... **STD**  
 XSD2  20" ..... **\$525 E2203**  
 XSD3  Custom Frame Depth: \_\_\_\_\_" Frame Depth Longer Than Seat Depth (Use 1" increments with a maximum of 2".  
 A Custom Frame Depth with a maximum of 20" is \$475.) ..... **NCO**

**FRONT SEAT HEIGHT C** Measure from floor to top of seat tube at front edge of seat sling. Adjustable in 1/2" increments. (13.5" - 14"

Front Seat Height C requires Hemi Height Frame Style. 20.5" - 21.5" Front Seat Height C not available with Hemi Height Frame Style.)

### FRONT SEAT HEIGHT RANGES

Front Wheel Size	Front Seat Heights C	Hemi Front Seat Height C				
3" Front Wheel	14.5" - 18.5"	13.5" - 17.5"				
3" Front Wheel w/Glide™	16.5" - 17.5"	15" - 17.0"				
4" Front Wheel	15.5" - 19"	14.5" - 18.0"				
4" Front Wheel w/Glide™	17.0" - 18."	15.5" - 17"	XFSH1	<input type="checkbox"/> 13.5"	<input type="checkbox"/> 14"	<input type="checkbox"/> 14.5"
5" Front Wheel	16.5" - 19.5"	16" - 18.5"		<input type="checkbox"/> 15.5"	<input type="checkbox"/> 16"	<input type="checkbox"/> 16.5"
5" Front Wheel w/Glide™	17.5" - 18.5"	16.5" - 18.0"		<input type="checkbox"/> 17.5"	<input type="checkbox"/> 18"	<input type="checkbox"/> 18.5"
6" Front Wheel	17.5" - 20"	16.5" - 19.0"		<input type="checkbox"/> 19.5"	<input type="checkbox"/> 20"	<input type="checkbox"/> 20.5"
6" Front Wheel w/Glide™	19"	17.5" - 18"				<input type="checkbox"/> 21"
8" Front Wheel	19.5" - 21"	18.5" - 19.5"				..... <b>STD</b>

**REAR SEAT HEIGHT D** Measure from floor to top of seat tube at back post. Adjustable in 3/8" increments.

### REAR SEAT HEIGHT RANGES

Rear Wheel Size	Rear Seat Height D				
22"	13" - 18"	XRSH1	<input type="checkbox"/> 13"	<input type="checkbox"/> 13.5"	<input type="checkbox"/> 14"
24"	14" - 19"		<input type="checkbox"/> 14.5"	<input type="checkbox"/> 15"	<input type="checkbox"/> 15.5"
25"	14" - 19"		<input type="checkbox"/> 16"	<input type="checkbox"/> 16.5"	<input type="checkbox"/> 17"
26"	15" - 20"		<input type="checkbox"/> 17.5"	<input type="checkbox"/> 18"	<input type="checkbox"/> 18.5"
			<input type="checkbox"/> 19"	<input type="checkbox"/> 19.5"	<input type="checkbox"/> 20"

..... **STD**

**SEAT BACK HEIGHT G/SEAT BACK/PUSH HANDLES** Measure from top of back post to top of seat tube at rear of frame.

### SEAT BACK TYPE

- XSB13  Fixed Angle, Adjustable-Height Seat Back ..... **STD**  
 XLB1  Folding Stabilizer Bar (Required with Transit Tie-Down Option unless Depth Adjustable Backrest is selected.  
 Includes Tension Adjustable by Strap Back Upholstery.) ..... **\$390**  
 XSB14  Fixed Angle, Adjustable Height Seat Back w/8-Degree Bend. (Not available with Heavy Duty Frame.) ..... **NCO**  
 XSB18  Folding Adjustable-Angle and Height Seat Back (Not available with Heavy Duty Frame or Ride Designs® Corbac™.) ..... **\$230**  
 XSB16  Depth Adjustable Back/Frame (Not Available with Hemi Height Frame, Heavy Duty Frame,  
 19" or 20" Seat Depths B, Swing Away Tubular or Swing Away Flip-Back Armrest. Seat Depths G of 12"-17" allow 3" of rearward  
 adjustment. Seat Depth B of 18" allow 2" of rearward adjustment. Requires Tension Adjustable Seat Upholstery) ..... **NCO**

### PUSH HANDLES

- XSB6  Integrated Push Handles ..... **NCO**  
 XSB7  Integrated Fold-Down Push Handles (Requires Tension Adjustable by Straps Back Upholstery. Not available with  
 Heavy Duty Frame.) ..... **\$115**  
 XSB9  Bolt-On Height Adjustable Push Handles (Requires Tension Adjustable by Straps Back Upholstery. Not available with  
 Heavy Duty Frame, Folding Adjustable-Angle and Height Seat Back, Swing Away Tubular Armrests, Swing Away - Flip Back  
 Tubular Armrests or Ride Designs® Corbac™.) ..... **\$335**

XSB20/XSB14 **FIXED ANGLE ADJUSTABLE SEAT BACK HEIGHT G** (11"- 15" Fixed Seat Back Height not available with Heavy Duty  
 Frame, Swing Away Tubular Arms 12"-15", Bolt-On Height Adjustable Push Handles or Folding Stabilizer Bar.)

**Push Handles** (Selected on Pg. 2) **Short** **Tall** **Set at: (Use 1" increments)**

None	<input type="checkbox"/> 11"- 15"	<input type="checkbox"/> 16"- 20"	<b>Set at:</b> _____
Integrated	<input type="checkbox"/> 11"- 15"	<input type="checkbox"/> 16"- 20"	<b>Set at:</b> _____
Integrated Fold-Down	<input type="checkbox"/> 11"- 15"	<input type="checkbox"/> 16"- 20"	<b>Set at:</b> _____
Bolt-On Height Adj.	-----	<input type="checkbox"/> 16"- 20"	<b>Set at:</b> _____

# TiLite AERO X Order Form

## FRAME MEASUREMENTS

XSB18 FOLDING ADJUSTABLE- ANGLE AND HEIGHT SEAT BACK **Ⓢ** (Not available with a Folding Stabilizer Bar or Heavy Duty Frame)

Push Handles (Selected on Pg. 2)	Short	Medium	Tall	Set at: (Use 1/2" increments)
None	<input type="checkbox"/> 11"- 13"	<input type="checkbox"/> 13.5"- 16.5"	<input type="checkbox"/> 16.5"- 19.5"	Set at: _____
Integrated	<input type="checkbox"/> 12.5"- 14.5"	<input type="checkbox"/> 13.5"- 16.5"	<input type="checkbox"/> 17"- 19.5"	Set at: _____
Integrated Fold-Down	<input type="checkbox"/> 15"- 17"	<input type="checkbox"/> 16"- 19"	<input type="checkbox"/> 18.5"- 20.5"	Set at: _____

### CAMBER **Ⓢ**

XCBR8  0°  2°  4°  6° ..... STD

**FRONT ANGLE **Ⓢ**** Front Angle **Ⓢ** is measured from inside of front frame tube to top of bottom frame tube.

#### Swing Away Front End

XFA3  70°  80°  85° (Not available with 6" Front Wheels.)  90° (Requires aluminum footplate. Not available with Heavy Duty Frame, 5" or 6" Front Wheels.) ..... STD

XFA5 Elevating Leg Rest  L **OR**  R (When choosing a left or right Elevating Leg Rest, please select the opposite Front Angle (XFA3), above. Not available with 14" or narrower Seat Width **Ⓢ** or Neoprene Impact Guards.) ..... \$170 E0990

XFA7  Elevating Leg Rest Pair (Not available with Heavy Duty Frame, 14" or narrower Seat Width **Ⓢ** or Neoprene Impact Guards.) ..... \$335 E0990 XFA0  
 Omit Hangers ..... NCO

#### Fixed Front End

XFA6  70°  80°  85° (85° Not available with 6" Front Wheels.) ..... STD

**SEAT TO FOOTREST **Ⓢ**/FOOTRESTS** Measure from front edge of seat sling to top rear of footrest.

If your Front Angle **Ⓢ** is 70°, 80°, OR 85° select one Seat to Footrest **Ⓢ** length and one Footrest type:

**Standard Footrests** Measurement must be at least 2" shorter than Front Seat Height **Ⓢ**. 70° Fixed Front has a minimum seat to footrest of 14.5"

14"  14.5"  15"  15.5"  16"  16.5"  17"  17.5"  18"  18.5"  19"  19.5"  20"

XFTR5  Flip-up Footrest ..... STD

XFTR6 1-Piece Flip-up Footrest - Pivot on  L **OR**  R (Not available with Heel Loops.) ..... \$175 K0045

XFTR7  1-Piece, Over-Center Folding Footrest (Fixed Front Only. Not available with Heel Loops.) ..... \$175 K0045

XFTR9  Depth Adjustable Flip-up Footrest ..... \$110 K0045

XFTR10  Depth & Angle Adjustable Flip-up Footrest (Available for 15"- 20" Seat to Footrest **Ⓢ** only.) ..... \$270 K0040, K0045

XFTR11  Angle Adjustable Flip-up Footrest (Available for 15"- 20" Seat to Footrest **Ⓢ** only.) ..... \$170 K0040, K0045

#### High Mount Footrests (Not Available with Luggage Carriers, or Impact Guards.)

7"  7.5"  8"  8.5"  9"  9.5"  10"  10.5"  11"  11.5"  12"  12.5"

13"  13.5"  14"  14.5"

XFTR20  High Mount Flip-up ..... \$190 K0037

XFTR15  Angle Adjustable High Mount Flip-up Footrest ..... \$325 K0040, K0037

XFTR16  Depth & Angle Adjustable High Mount Flip-up Footrest ..... \$375 K0040, K0037

#### Elevating Leg Rest

14"  15"  16"  17"  18"  19"  20"  21"

XFTR17  Depth Adjustable Flip-up Footrest ..... STD

If your Front Angle **Ⓢ** is 90°, select one Seat to Footrest **Ⓢ** length and one Footrest type:

7"  8"  9"  10"  11"  12"  13"

XFTR5  Flip-up Footrest ..... STD

XFTR9  Depth Adjustable Flip-up Footrest ..... \$110 K0037

XFTR10  Depth & Angle Adjustable Flip-up Footrest ..... \$270 K0040, K0037

XHLP1  Heel Loops (Not available with 13" or narrower Seat Width **Ⓢ** or 1-Piece Footrests.) ..... \$50 E0951

## CUSTOM CONFIGURATION OPTIONS

**FRONT WHEELS** (See Front Seat Height Ranges Chart on Page 2 for Front Seat Height **Ⓢ** limitations.)

XFW24  3"x1.5" LiteSpeed Billet Aluminum Wheel w/Soft Roll Tire  Silver Hub **OR**  Black Hub ..... \$190

XFW14  4"x.75" Plastic Wheel w/Poly Tire (Not available with Power Adaptable Frame, Heavy Duty Frame or Glide™ Single-Sided Suspension Fork.) ..... NCO

XFW3  4"x.75" Light-Up Micro-Caster (Not available with Power Adaptable Frame, Heavy Duty Frame or Glide™ Single-Sided Suspension Fork.) ..... \$80

XFW25  4"x.75" LiteSpeed Billet Aluminum Wheel w/Poly Tire  Silver Hub **OR**  Black Hub ..... \$150

XFW26  4"x1.5" LiteSpeed Plastic Wheel w/Soft Roll Tire (Not available with Power Assist, Power Add-on System or Heavy Duty Frame.) ..... \$95

XFW27  4"x1.5" LiteSpeed Billet Aluminum Wheel w/Soft Roll Tire  Silver Hub **OR**  Black Hub ..... \$200

XFW6  5"x1" Plastic Wheel w/Poly Tire (Not available with Power Adaptable Frame, Heavy Duty Frame or with 90° Front Angle **Ⓢ** or Glide™ Single-Sided Suspension Fork.) ..... NCO

XFW28  5"x1.5" LiteSpeed Plastic Wheel w/Soft Roll Tire (Not available with Power Adaptable Frame, Heavy Duty Frame or 90° Front Angle **Ⓢ**.) ..... \$95

XFW30  5"x1.5" LiteSpeed Billet Aluminum Wheel w/Soft Roll Tire  Silver Hub **OR**  Black Hub (Not available with 90° Front Angle **Ⓢ**.) ..... \$215

XFW9  6"x1" Plastic Wheel w/Poly Tire (Not available with Power Adaptable Frame, Heavy Duty Frame or 85° or 90° Front Angle **Ⓢ** or Glide™ Single-Sided Suspension Fork.) ..... NCO

XFW32  6"x1.5" LiteSpeed Plastic Wheel w/Soft Roll Tire (Not available with Power Adaptable Frame, Heavy Duty Frame, 85° or 90° Front Angle **Ⓢ**, or Glide™ Single-Sided Fork.) ..... \$100

XFW33  6"x1.5" LiteSpeed Billet Aluminum Wheel w/Soft Roll Tire  Silver Hub **OR**  Black Hub (Not available with 85° or 90° Front Angle **Ⓢ** or Glide™ Single-Sided Suspension Fork.) ..... \$225

XFW16  8"x1" Plastic Wheel w/Poly Tire (Not available with Power Assist, Power Add-on, Heavy Duty Frame or Glide™ Single-Sided Available with 70° Front Angle **Ⓢ** only.) . (Not available with 12"-14" Seat Depths) ..... NCO

# TiLite AERO X Order Form

Effective April 1, 2019 (New Items in Red)

FOLDING FRAME

Page 4 of 6

## CUSTOM CONFIGURATION OPTIONS

### FRONT FORKS

- XFK1  TiLite Standard Fork ..... **STD**
- XGL1  Out-Front Glide™ Suspension Fork (Available in Black anodize only. Not available with 8" Front Wheels or Heavy Duty Frame)..... **\$485 E1015**  
 Rider's Weight:  125 lbs.  125-180 lbs.  180-265 lbs.
- XGL2  Out-Front Glide™ Single-Sided Suspension Fork (Available in Black anodize only. Not available with 6" or 8" Front Wheels or Heavy Duty Frame.)..... **\$625 E1015**  
 Rider's Weight:  125 lbs.  125-180 lbs.  180-265 lbs.

### ONE ARM DRIVE

- XOAD1  One Arm Drive (Available with 24" Mag Wheels only. Rear Seat Height, Camber or axle restrictions may apply.)..... **\$1,200 E0958**  
 Drive Handrim Side (Available with standard aluminum handrim only.)

### STANDARD REAR WHEELS (See Rear Seat Height Ranges Chart on Page 2 for Rear Seat Height Ⓢ limitations.)

- XRW14 TiLite SHADOW™..... **STD**  
 22"(501)  
 24"(540)  
 25"(559) (Requires 15" minimum Seat Depth Ⓢ.)  
 26"(590) (Requires 15" minimum Seat Depth Ⓢ.)

### PERFORMANCE REAR WHEELS (See Rear Seat Height Ranges Chart on Page 2 for Rear Seat Height Ⓢ limitations.)

- XRW7 Spinerger SPOX  Black  Red  Yellow  Blue  White ..... **\$845**  
 22"(501) - Std. Hub  
 24"(540) - Std. Hub  
 25"(559) - Std. Hub (Requires 15" minimum Seat Depth Ⓢ.)  
 26"(590) - Sport Hub (Requires 15" minimum Seat Depth Ⓢ. Not available with Quad Release Axles.)
- XRW8 Spinerger LX (Available with Heavy Duty Frame only when 0 or 2 degree camber is selected.)  Black  Red  Yellow  Blue  
 White  Go Green  Bright Orange  Flamingo Pink..... **\$1,060**  
 22"(501) - Std. Hub  
 24"(540) - Std. Hub  
 25"(559) - Std. Hub (Requires 15" minimum Seat Depth Ⓢ.)  
 26"(590) - Sport Hub (Requires 15" minimum Seat Depth Ⓢ. Not available with Quad Release Axles.)
- XRW16 Spinerger Carbon Blade (Not available with Heavy Duty Frame.)..... **\$1,480**  
 24"(540)  
 25"(559) (Requires 15" minimum Seat Depth Ⓢ.)
- XRW17 X-Core Mag (Not available with Heavy Duty Frame, Short Tabs, Quad Release Axles, Spoke Guards or Omit Handrims Option. Requires Aluminum Sliver Anodized Handrims.)..... **NCO**  
 22"(501)  
 24"(540)

### AXLES

- XAXL1  Stainless Quick Release ..... **STD**
- XAXL2  Titanium Quick Release ..... **\$255**
- XAXL3  Quad Release (Not available with Mag or 26"(590) Spinerger Spox or Spinerger LX Rear Wheels.)..... **\$155**

### PNEUMATIC REAR TIRES

- XRTR1  Treaded (Not available with 25"(559) Rear Wheels.)..... **STD**
- XRTR2  Airless Inserts..... **\$90 E2213**
- XRTR3  25"(559) Primo Treaded (Standard with 25"(559) Rear Wheels.)..... **STD**
- XRTR4  Primo Slick..... **NCO**
- XRTR30  24"(540), 25"(559) and 26"(590) Primo Sentinel..... **\$125**
- XRTR8  24"(540), 25"(559) and 26"(590) Schwalbe® Marathon Plus Evolution..... **\$140**
- XRTR9  24"(540) and 25"(559) Schwalbe® Slick..... **\$145**
- XRTR24  24"(540) Kenda Kobra Knobby..... **\$95**

### SOLID REAR TIRES

- XRTR22  22"(501), 24"(540) and 25"(559) Primo Express (Not available with Spinerger Carbon Blade Rear Wheels.)..... **\$110**
- XRTR23  24"(540) and 25"(559) Primo Active..... **\$135**

### HANDRIMS

- XRIM1  Aluminum – Silver Anodized..... **STD**
- XRIM21  Aluminum – Black Anodized..... **NCO**
- XRIM12  Titanium – Satin Finish (Not available with 20"(451) or 22"(501) Rear Wheels, or 24"(540) Knobby tires.)..... **\$470**

### Handrims by OUT-FRONT®

- XRIM10  The Surge (All-In-One Oval with Gription™ Strip, Larger Profile)..... **\$400**
- XRIM11  The Surge LT (All-In-One Oval with Gription™ Strip, Smaller Profile)..... **\$430**
- XRIM20  Q-Grip (Exclusive High-Friction, Anti-Slip Coating)..... **\$330**

# TiLite **AERO X** Order Form

## CUSTOM CONFIGURATION OPTIONS

### The Natural-Fit® (Original, Larger Profile)

XRIM14 <input type="checkbox"/> Standard Grip (Not available with Short Tabs or Spinerger Carbon Blade Rear Wheels.)	\$395
XRIM15 <input type="checkbox"/> Super Grip (Not available with Short Tabs or Spinerger Carbon Blade Rear Wheels.)	\$430
XRIM16 <input type="checkbox"/> Without Thumb Grip	\$360

### The Natural-Fit® LT (Reduced Weight, Smaller Profile)

XRIM17 <input type="checkbox"/> Standard Grip (Not available with Short Tabs or Spinerger Carbon Blade Rear Wheels.)	\$415
XRIM18 <input type="checkbox"/> Super Grip (Not available with Short Tabs or Spinerger Carbon Blade Rear Wheels.)	\$475
XRIM19 <input type="checkbox"/> Without Thumb Grip	\$390

### Additional Handrim Options

XRIM5 <input type="checkbox"/> Plastic Coated – Black	\$160
XRIM22 <input type="checkbox"/> Omit Handrims	NCO

### Tab Length

XRIM7 <input type="checkbox"/> Long Tabs	STD
XRIM8 <input type="checkbox"/> Short Tabs (Not available with Mag Rear Wheels or The Natural-Fit® Handrims with Thumb Grip.)	\$25

## WHEEL LOCKS

### Wheel Locks by OUT-FRONT® (Composite wheel locks not always compatible with 12"-13" Seat Depth. Uni-locks will be substituted at no charge.)

XWLK7 <input type="checkbox"/> Compact Composite Push to Lock	NCO	
XWLK8 <input type="checkbox"/> Compact Composite Pull to Lock	NCO	
XWLK10 <input type="checkbox"/> Extension Handles for Compact Composite Push/Pull to Lock	\$85	E0961
XWLK9 <input type="checkbox"/> Composite Scissor Lock (Not available on Aero X2 Swing Away.)	\$145	

### Additional Wheel Locks

XWLK3 Uni-Lock Set At: <input type="checkbox"/> Push <b>OR</b> <input type="checkbox"/> Pull	\$165	
XWLK4 <input type="checkbox"/> Extension Handles for Uni-Lock	\$85	E0961
<b>XWLK15 <input type="checkbox"/> Grade Aids Push to Lock (Not available with solid rear tires)</b>	<b>\$175</b>	<b>E0974</b>

## BACK UPHOLSTERY (Want more seating options? [Click here](#) to view the new TiLite Seating Order Form.)

XBUP1 <input type="checkbox"/> Padded Nylon (Black Only. Not available with Heavy Duty Frame, Folding Back, Folding Stabilizer Bar, Depth Adjustable Frame, Fold-Down Push Handles or Ultrasuede Backrest Stripe.)	STD	
Tension Adjustable by Straps (Included with Heavy Duty Frame. Required with Aluminum Fendered Side Guards and Fold-Down Push Handles.)		
XBUP3 <input type="checkbox"/> Padded Nylon	\$340	E2611
XBUP5 <input type="checkbox"/> AIR Breathable Upholstery (Not available with Ultrasuede Backrest Stripe.)	\$340	E2611
XUPC3 Ultrasuede Backrest Stripe <input type="checkbox"/> Black (Not available with Padded Nylon or AIR Breathable Back Upholstery.)	\$105	
XBUP0 <input type="checkbox"/> Omit Back Upholstery	NCO	

## SEAT UPHOLSTERY

XSUP4 <input type="checkbox"/> Tension Adjustable (Black only)	STD
XSUP0 <input type="checkbox"/> Omit Seat Upholstery	NCO

## SEAT CUSHION (Want more seating options? [Click here](#) to view the new TiLite Seating Order Form.)

XCSH2 <input type="checkbox"/> Comfort Curve Cushion	\$120	E2601
--	-------	-------

## SIDE GUARDS

XSDG1 <input type="checkbox"/> Cloth (Not available with Ride Designs® Corbac™ Back Support.)	\$100
---	-------



### Aluminum

XSDG2 <input type="checkbox"/> Rigid Removable <input type="checkbox"/> Small <b>OR</b> <input type="checkbox"/> Std	\$200
XSDG3 <input type="checkbox"/> Quad Removable w/Hole <input type="checkbox"/> Small <b>OR</b> <input type="checkbox"/> Std	\$215
XSDG6 <input type="checkbox"/> Fendered Adjustable (Requires Tension Adjustable by Straps Back Upholstery. Not available with Angle-Adjustable Fold-Down Seat Backs.)	\$335

### Carbon Fiber

XSDG7 <input type="checkbox"/> Rigid Removable <input type="checkbox"/> Small <b>OR</b> <input type="checkbox"/> Std	\$310
XSDG8 <input type="checkbox"/> Quad Removable w/Hole <input type="checkbox"/> Small <b>OR</b> <input type="checkbox"/> Std	\$320
XSDG11 <input type="checkbox"/> Fendered Adjustable (Requires Tension Adjustable by Straps Back Upholstery. Not available with Angle-Adjustable Fold-Down Seat Backs.)	\$565

## ARMRESTS (Desk Arms come with built-in Side Guards.)

XARM1 Swing Away Tubular (Not available with Heavy Duty Frame, Folding Stabilizer Bar with Short or Medium Seat Back Height ranges or Depth Adjustable Back.)	\$225	E0973
<input type="checkbox"/> 9" - 12" <b>OR</b> <input type="checkbox"/> 12" - 15"		
XARM4 <input type="checkbox"/> Swing Away - Flip Back Tubular (Not available with Heavy Duty Frame, Folding Stabilizer Bar or Depth Adjustable Back.)	\$315	E0973
XARM2 Removable Height Adjustable Desk Arm with Rigid Side Guard (Requires 14" minimum Seat Depth  )	\$335	E0973
<input type="checkbox"/> 9" to 12" <b>OR</b> <input type="checkbox"/> 12" to 15"		
<input type="checkbox"/> Standard Length Pad (10") <b>OR</b> <input type="checkbox"/> Full Length Pad (14")		
XARM3 Removable Height Adjustable Desk Arm with Rigid Side Guard and Transfer Loop (Requires 16" minimum Seat Depth  )	\$375	E0973
<input type="checkbox"/> 9" to 12" <b>OR</b> <input type="checkbox"/> 12" to 15"		
<input type="checkbox"/> Standard Length Pad (10") <b>OR</b> <input type="checkbox"/> Full Length Pad (14")		

### Available Armrest Option

XARM5 <input type="checkbox"/> Covered in Black Ultrasuede (Not available with Desk Arms)	\$110
---	-------



# TiLite **AERO X** Order Form

Effective April 1, 2019 (New Items in Red)

FOLDING FRAME

Page 6 of 6

## CUSTOM CONFIGURATION OPTIONS

### SEAT BELTS

XBLT1 <input type="checkbox"/> Velcro Adjustable, Black Nylon Webbing.....	\$55	E0978
XBLT2 <input type="checkbox"/> Bodypoint® 2" Push-Button Buckle (Auto-Style.).....	\$95	E0978
XBLT4 <input type="checkbox"/> Bodypoint® 1" Wide Push-Button Buckle Padded (Auto-Style.) (Not available with 19" - 22" Rear Seat Widths <b>A</b> ).....	\$180	E0978
XBLT5 <input type="checkbox"/> Bodypoint® 1.5" Wide Push-Button Buckle Padded (Auto-Style.) (Not available with 19" - 22" Rear Seat Widths <b>A</b> ).....	\$170	E0978
XBL10 <input type="checkbox"/> Bodypoint® Optional Band Clamp Mounting Hardware.....	\$20	K0108
XBLT15 <input type="checkbox"/> Bodypoint® EvoFlex® Pelvic Stabilizer Swivel Buckle.....	\$185	E0978
XBLT16 <input type="checkbox"/> Bodypoint® EvoFlex® Pelvic Stabilizer Push Button.....	\$185	E0978
XBLT17 <input type="checkbox"/> Bodypoint® EvoFlex® Pelvic Stabilizer Rehab Latch.....	\$185	E0978

### CALF STRAP

XCLF2 Velcro Adjustable.....	\$40	K0038
<input type="checkbox"/> Small (Recommended for 9" - 12" Footrest Widths)		
<input type="checkbox"/> Medium (Recommended for 11" - 15" Footrest Widths)		
<input type="checkbox"/> Large (Recommended for 14" - 17" Footrest Widths)		
<input type="checkbox"/> Xtra Large (Recommended for 16" - 19" Footrest Widths)		
XCLF3 Bodypoint® Padded Velcro Adjustable.....	\$100	K0038
<input type="checkbox"/> Medium (Recommended for 12" - 15" Footrest Widths)		
<input type="checkbox"/> Large (Recommended for 16" - 20" Footrest Widths)		
XCLF1 <input type="checkbox"/> Buckle Adjustable, Black Nylon Webbing.....	\$30	K0038

### RESIDUAL LIMB SUPPORT

XRSL1 <input type="checkbox"/> Residual Limb Support. Mount <input type="checkbox"/> Left <input type="checkbox"/> Right.....	\$395	E1020
XRSL2 <input type="checkbox"/> Residual Limb Support Pair (Both Left and Right Pad information required).....	\$790	E1020

Left Pad Width  8"  9"  10"

Right Pad Width  8"  9"  10"

Left Pad Length  10"  14"

Right Pad Length  10"  14"

### BACK PACK

XBCK3 <input type="checkbox"/> Black Permobil Back Pack.....	\$95	
--	------	--

### SEAT POUCH

XPCH3 <input type="checkbox"/> Black Permobil Seat Pouch.....	\$60	
XPCH4 <input type="checkbox"/> Bodypoint® Mobility Bag.....	\$100	

### SPOKE GUARDS

XGRD1 <input type="checkbox"/> Clear with TiMotion Logo (Not available with MagRear Wheels.).....	\$135	K0065
---	-------	-------

### ANTI-TIPS

XTIP1 <input type="checkbox"/> Rear Aluminum - Black.....	\$160	E0971
XTIP2 <input type="checkbox"/> User Friendly Flip-up.....	\$335	E0971
XTIP9 <input type="checkbox"/> Tip Assist.....	\$105	E0971

### ACCESSORIES

XUEST1 Upper Extremity Support Tray <input type="checkbox"/> 12" to 14" <b>OR</b> <input type="checkbox"/> 13" to 15" Seat Widths <b>A</b> (Requires Armrests.).....	\$290	E0950
XLUG1 <input type="checkbox"/> Luggage Carriers (Not available with High Mount Swing Away Footrests or 1-Piece Flip-up Footrest.).....	\$145	
XMPCT2 Neoprene Impact Guards with Ultrasuede Stripe (Not available with High Mount Footrests, 90° Hangers or Elevating Leg Rest.)		
<input type="checkbox"/> Black.....	\$105	
XCH1 <input type="checkbox"/> Crutch Holder.....	\$225	
XAFP1 4" Logo Patch <input type="checkbox"/> Army <input type="checkbox"/> Navy <input type="checkbox"/> Air Force <input type="checkbox"/> Marines.....	\$105	

## GENERAL

Permobil manufactures TiLite manual wheelchairs in a wide variety of configurations to meet the varied needs of wheelchair users. The final selection of a particular model, its options and accessories, and its measurements rests solely with the wheelchair user and advising healthcare professional. These wheelchairs must be fitted by a qualified healthcare professional. HCPCS Codes are for reference purposes only. Actual coding and coverage varies by payer. Proper HCPCS coding is not a guarantee of payment. Please verify the appropriate payer's coverage policy.

Trademarks are identified by symbols™ and ©. TiLite, TiFit, the TiLite logo, Ti, the Ti logo, The Titanium Experts, and TiShaft are registered trademarks of TiSport, LLC and are licensed to Permobil. Permobil® is a registered trademarks of Permobil. Adobe®, Acrobat®, Acrobat Professional® and Reader® are registered trademarks of Adobe Systems Inc. Bodypoint® is a registered trademark of Bodypoint Inc. Kenda® is a registered trademark of Kenda Rubber Industrial Co. Ltd. Ride Designs® and Corbac® are registered trademarks of Aspen Seating, LLC. ROHO®, Low Profile® and Quadro Select® are registered trademarks of ROHO Inc. Schwalbe® is a registered trademark of Ralf Bohle GmbH. Supracor®, Stimulite® and Corbee® are registered trademarks of Supracor, Inc. The Natural-Fit® and Out-Front® are registered trademarks of Three Rivers Holdings, LLC. Varilite® is a registered trademark of Cascade Designs, Inc.

**QUOTE THIS CHAIR**

If you are using Adobe Acrobat, this order form may be converted into a quote request or into an order by clicking one of the buttons (this feature is available exclusively to Permobil dealers and distributors). A Quote or an Order Confirmation will be sent to you within 24 hours.

**ORDER THIS CHAIR**