

# TiLite Pilot Canadian Order Form

Effective November 18th, 2019 (New Items in Red)

CARBON RIGID, GROWABLE FRAME

Page 1 of 4

DEALER INFORMATION		RTS INFORMATION	
Dealer:	Account #:	RTS:	Phone:
PO:	Ordered By:	Email:	
Email:		SHIP TO INFORMATION	
Mark For:	User Weight:	Name:	Ship Via:
TiLite Sales Rep:		Address:	
<b>TiLite Information:</b>	Promo Code:	City:	Province: Postal Code:
Ship Date:	Order #:	Phone:	Fax:

More options and frame modifications may be available through our Creative Mobility Division! Please contact customer service for details or [click here](#) to view options.

**Please Email or Fax to the Permobil Manual Customer Service Team at [tilitesales@permobil.com](mailto:tilitesales@permobil.com) or 866.586.2413 / 509.586.2413**

## FRAME STYLE

- TPFS1  **TiLite Pilot INCLUDING Growth Kit** (Full Adjustability. Seat Width **A** grows 2" and Seat Depth **B** grows 3".) 120 Pound Weight Limit. Price includes one-time growth kit and Transit Tie-Down option. Additional growth kits sold separately.).....**\$3,650**
- TPFS2  **TiLite Pilot OMIT Growth Kit**.....**\$3,375**

## TRANSIT TIE-DOWN OPTION

(Refer to the Transit Tie-Down Option Brochure for important information regarding the Transit Tie-Down options.)

- TPWTB  Transport Brackets (Consists of four Tie-Down Brackets.).....**NCO**
- TPTTD  Transit Tie-Down (WC-19 Tie-Down Brackets require the TiLite back and head support. 95 lb weight limit.).....**\$390**

## FRAME FINISHES

### PAINT COLOR

- TPF29 Neon Pink  TPF14 Ocean Blue Metallic  TPF30 Acid Green Metallic  TPF25 Electric Plum.....**STD**

### ANODIZE COLOR

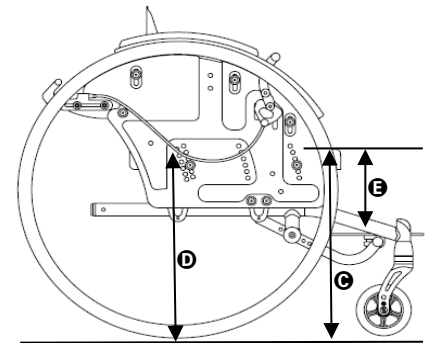
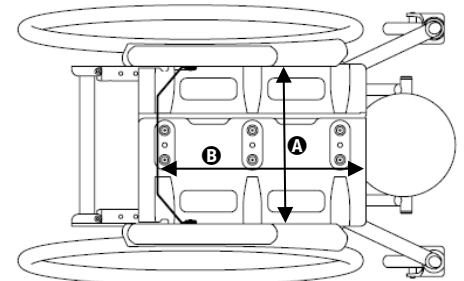
- TPAN01 Black  TPAN05 Sapphire  TPAN03 Red Pepper  TPAN08 Ultraviolet.....**STD**

## FRAME MEASUREMENTS

### FRONT SEAT TO FLOOR HEIGHT, REAR SEAT TO FLOOR HEIGHT, CENTER OF GRAVITY AND SEAT TO FOOTREST

Please see the table below for available configuration adjustment ranges. Center of gravity will be set at the factory. See documentation shipped with chair for detailed information on adjustments.

SEAT DEPTH	MEASUREMENT:	20" REAR WHEEL	22" REAR WHEEL	24" REAR WHEEL
		AVAILABLE RANGE (IN):	AVAILABLE RANGE (IN):	AVAILABLE RANGE (IN):
9"	FRONT SEAT HEIGHT	12.5-15	N/A	N/A
	REAR SEAT HEIGHT	12-13.5	N/A	N/A
	CENTER OF GRAVITY	0.5-1.5	N/A	N/A
10"	FRONT SEAT HEIGHT	12-15	N/A	N/A
	REAR SEAT HEIGHT	12-13.5	N/A	N/A
	CENTER OF GRAVITY	0.5-2.25	N/A	N/A
11"	FRONT SEAT HEIGHT	12-15	13.5-16.5	14-16.5
	REAR SEAT HEIGHT	12-13.5	13-15	13.5-16
	CENTER OF GRAVITY	0.5-3	0.5-2.25	0.5-2.25
12"	FRONT SEAT HEIGHT	12-15	13.5-16	14-16.5
	REAR SEAT HEIGHT	12-13.5	13-15	13.5-16
	CENTER OF GRAVITY	0.5-3.5	0.5-3.25	0.5-3.25
13"	FRONT SEAT HEIGHT	N/A	13-16	13.5-16.5
	REAR SEAT HEIGHT	N/A	13-15	13.5-16
	CENTER OF GRAVITY	N/A	0.5-3.5	0.5-3.5
14"	FRONT SEAT HEIGHT	N/A	13-16	13.5-16.5
	REAR SEAT HEIGHT	N/A	13-15	13.5-16
	CENTER OF GRAVITY	N/A	0.5-3.5	0.5-3.5
15"	FRONT SEAT HEIGHT	N/A	13-16	13.5-16.5
	REAR SEAT HEIGHT	N/A	13-15	13.5-15.5
	CENTER OF GRAVITY	N/A	1.5-3.5	1.5-3.5



# TiLite Pilot Canadian Order Form

Effective November 18th, 2019 (New Items in Red)

CARBON RIGID, GROWABLE FRAME

Page 2 of 4

## FRAME MEASUREMENTS

**SEAT WIDTH ①** Measure inside width from side panel to side panel. Seat width grows 2" if selected width is between 8" and 12". The 13" width will grow a maximum of 1", and the 14" width will not grow any wider. Refer to chart for seat depth availability.

TPSW1  8"  9"  10"  11"  12"  13"  14".....**STD**

**SEAT DEPTH RANGE:** The seat depth can be grown within the selected range.

9"-12"  11"-15".....**STD**

**SEAT DEPTH ②** Measure from front of seat pan to front of back support cushion.

TPSD1  9"  10"  11"  12"  13"  14"  15".....**STD**

**FRONT SEAT HEIGHT ③** Measure from the floor to the top edge of the front of the seat pan. Adjustable in 0.5" increments.

TPFSH1  12"  12.5"  13"  13.5"  14"  14.5"  15"  15.5"  16"  16.5".....**STD**

**REAR SEAT HEIGHT ④** Measure from the floor to the top edge of the of the seat pan at the intersection of the front of the back support pad and the seat pan. Adjustable in 0.5" increments.

TPRSH1  12"  12.5"  13"  13.5"  14"  14.5"  15"  15.5"  16"  16.5".....**STD**

### FOOTREST TYPE

TPFTR3  Angle Adjustable Footrest.....**STD**

TPFTR24  Flip-Back Depth and Angle Adjustable Footrest (Not available on 8", 9" or 14" seat widths).....**\$275**

**SEAT TO FOOTREST ⑤** Measure from the top of the footplate to the front of the seat pan. For an angle adjustable footrest, this measurement must be at least 2" less than front seat height. For a Flip-Back Depth and Angle Adjustable footrest, this measurement must be at least 3" less than front seat height.

3"  3.5"  4"  4.5"  5"  5.5"  6"  6.5"  7"  7.5"  8"  8.5"  9"  9.5"  10"  
 10.5"  11"  11.5"  12"  12.5"  13"  13.5"  14"  14.5".....**STD**

**COMFORT BACK SUPPORTS** (WC-20 certification for integrated hardware is pending testing. Cane mounted hardware is WC-20 certified.)

TPSB4  Acta-Back (Available on 12" to 14" seat widths)  
Back support length:  10"  12"  14".....**\$735**

TPSB5  Acta-Embrace (Available on 10" to 14" seat widths)  
Back support length:  10"  12"  14".....**\$775**

Comfort Back Options:

TPCHD1 Backrest Mounting Hardware Options:  Integrated Compass Hardware  Cane Mount Hardware.....**NCO**

TPFAB1 Cover Fabric:  Comfort-Tek  Stretch-Air.....**NCO**

TPCP1 Colored Piping (Not required):  Blue  Green  Silver  Red  Purple  Pink  Light Orange.....**\$30**

TPEMB1  Embroidery Text (Not required):.....**\$30**

Embroidery Thread color:  Red  Purple  Pink  Blue  Green  Silver

Embroidery Font:  Helvetica  Garamond  Twilight  Script

TPLAT1  Bodilink 3"L x 4"D Lateral trunk support, each (Swing away, GlideWear cover, non-padded).....**\$510**  
Mounting Location:  Left  Right

**SEAT BACK TYPE** Measure from top of back support to seat pan. Back support shell height is 9.5" with scapular cutouts.

TPSB1  Standard Non-Folding Adjustable-Height Rigid Back with Pad (11" to 13" height range).....**STD**

TPSB2  Contoured Non-Folding Adjustable-Height Rigid Back with Pad (11" to 13" height range. PDAC verification pending.).....**\$585**

TPSB3  Aluminum Canes for Aftermarket back support, no Pad (Not available with height adjustable fenders.).....**NCO**

**HEAD SUPPORT** (The Comfort head support is WC-20 certified on the Acta-Back and Acta-Embrace. The head support is WC-19 certified when used with the TiLite backrest.)

TPHDR1 Comfort Bodilink head support with GlideWear cover (Uses piano taper midline hardware. Available on Acta-Back, Acta-Embrace and TiLite rigid back supports).....**\$515**  
Width:  6"  8"

**PUSH HANDLES** (Height adjustable range is 33" - 40" as measured from the floor with 24" (540) wheels.)

TPSB6  Bolt-On Height-Adjustable Removable Single Push Handle.....**\$230**

TPSB7  Bolt-On Height-Adjustable Removable Dual Push Handles.....**\$285**

**CAMBER / CAMBER TUBES** (Aluminum Camber tube standard. Anodize color will match selection above.)

2° (Minimum 1.5" rear wheel spacing)  4° (Minimum 1.25" rear wheel spacing)  6° (Minimum 1" rear wheel spacing)  
 8°  12".....**STD**

**REAR WHEEL SPACING** Measure from outside of side panel to inside of rear tire at top of wheel. (Not all rear wheel spacing is available with all accessories.)

TPRWS1  0.75"  1"  1.25"  1.5"  1.75"  2".....**STD**

TPCBR12  Adjustable Rear Wheel Spacing Camber Plugs.....**STD**

TPCBR9  Additional Spacers to Increase Rear Wheel Spacing.....**NCO**

**FRONT WHEELS** (TiLite Standard Fork style will be provided.)

TPFW14  4" X 0.75" Plastic Wheel w/Poly Tire.....**STD**

TPFW3  4" X 0.75" Light-Up Micro-Caster.....**\$80**

TPFW26  4" X 1.5" LiteSpeed Plastic Wheel w/Soft Roll Tire.....**\$95**

TPFW27  4" X 1.5" LiteSpeed Billet Aluminum Wheel w/Soft Roll Tire (Black Hub Only).....**\$190**

# TiLite Pilot Canadian Order Form

Effective November 18th, 2019 (New Items in Red)

CARBON RIGID, GROWABLE FRAME

Page 3 of 4

## CUSTOM CONFIGURATION OPTIONS

### REAR WHEELS

- TPRW14 TiLite SHADOW™ ..... **STD**  
 20"(451) Only available with seat depth range 9"-12".  
 22"(501) Only available with seat depth range 11"-15".  
 24"(540) Only available with seat depth range 11"-15".
- TPRW7 Spinergy SPOX  Black  Red  Blue  White ..... **\$900**  
 22"(501) - Std. Hub Only available with seat depth range 11"-15".  
 24"(540) - Std. Hub Only available with seat depth range 11"-15".
- TPRW8 Spinergy LX  Black  Red  Blue  White  Bright Orange  Flamingo Pink  Purple ..... **\$1,055**  
 22"(501) - Std. Hub Only available with seat depth range 11"-15".  
 24"(540) - Std. Hub Only available with seat depth range 11"-15".
- TPRW16 Spinergy Carbon Blade ..... **\$1,540**  
 24"(540) Not available with solid tires or airless inserts. Only available with seat depth range 11"-15".
- TPRW17 X-Core Mag (Not available with Short Tabs, Quad Release Axles, or Omit Handrims Option.)  Black  Red  Pink  White ..... **\$110**  
 20"(451) Only available with seat depth range 9"-12".  
 22"(501) Only available with seat depth range 11"-15".  
 24"(540) Only available with seat depth range 11"-15".

### AXLES

- TPAXL1  Stainless Quick Release ..... **STD**  
 TPAXL3  Quad Release (Not available with Mag Rear Wheels.) ..... **\$170**

### PNEUMATIC REAR TIRES

- TPRTR1  Treaded ..... **STD**  
 TPRTR2  Airless Inserts ..... **\$115**  
 TPRTR4  Primo ..... **NCO**  
 TPRTR30  Primo Sentinel (Available on all wheel sizes, 20" (451), 22" (501), and 24" (540)) ..... **\$160**  
 TPRTR8  Schwalbe Marathon (Only available on 24" (540)) ..... **\$155**

### HANDRIMS

- TPRIM1  Aluminum – Silver Anodized ..... **STD**  
 TPRIM21  Aluminum – Black Anodized (Not available with 20" (451) Rear Wheels.) ..... **NCO**

#### Handrims by OUT-FRONT®

The Natural-Fit® LT (Reduced Weight, Smaller Profile) (Not available with 20"(451) Rear Wheels.)

- TPRIM17  Standard Grip (Not available with Short Tabs or Spinergy Carbon Blade Rear Wheels.) ..... **\$500**  
 TPRIM18  Super Grip (Not available with Short Tabs or Spinergy Carbon Blade Rear Wheels.) ..... **\$535**  
 TPRIM19  Without Thumb Grip ..... **\$460**  
 TPRIM11  The Surge LT (All-In-One Oval with Gription™ Strip, Smaller Profile) (Not available with 20"(451) Rear Wheels.) ..... **\$470**  
 TPRIM20  Q-Grip (Exclusive High-Friction, Anti-Slip Coating) (Not available with 20"(451) Rear Wheels.) ..... **\$375**

#### Additional Handrim Options

- TPRIM5  Plastic Coated – Black (Not available with Mag Rear Wheels.) ..... **\$160**  
 TPRIM22  Omit Handrims ..... **NCO**

#### Tab Length

- TPRIM7  Long Tabs ..... **STD**  
 TPRIM8  Short Tabs (Not available with Mag Rear Wheels or The Natural-Fit® Handrims with Thumb Grip.) ..... **\$35**

### WHEEL LOCKS

- TPWLK30  Compact Push to Lock ..... **NCO**  
 TPWLK31  Compact Pull to Lock ..... **NCO**

Mounting Location:

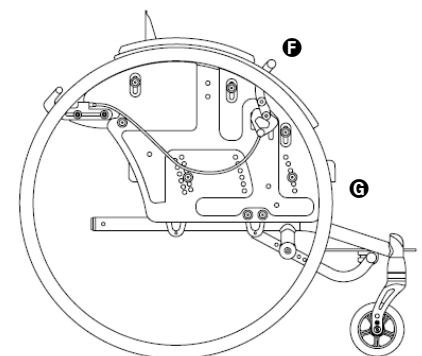
- Standard Location **F**  Forward Mount Location **G** (Mounted on forward front of side panel.)

### SOLID SEAT PAN

- TPSP1 Solid Seat Pan (Required Option) ..... **\$195**

### SEAT CUSHION

- TPCSH2  Comfort Curve Cushion (Stretch-Air cover.) ..... **\$155**  
**TPCSH23  Comfort Acta-Embrace™ Comfort-Tek Zero Elevation Cushion. \$470**  
 SCSH11  ROHO Single Compartment Low Profile Cushion ..... **\$720**



# TiLite Pilot Canadian Order Form

## CUSTOM CONFIGURATION OPTIONS

**ROHO OPTIONS:** (Made to order options have a 2-3 week lead time)

		SEAT DEPTH (B)					
		10"	11"	12"	13"	14"	15"
<b>SEAT WIDTH (A)</b>	8"	Made to Order	Made to Order	Made to Order	Made to Order	Made to Order	Made to Order
	9"	Made to Order	Made to Order	Made to Order	Made to Order	Made to Order	Made to Order
	10"	Made to Order	Made to Order	Made to Order	Made to Order	Made to Order	Made to Order
	11"	Made to Order	Stocked	Stocked	Stocked	Made to Order	Made to Order
	12"	Made to Order	Stocked	Stocked	Stocked	Made to Order	Made to Order
	13"	Made to Order	Made to Order	Made to Order	Stocked	Stocked	Stocked
	14"	Made to Order	Made to Order	Made to Order	Stocked	Stocked	Stocked

**SIDE GUARDS:** (Side guards required)

- TPSDG30  Built in Side Guard with Height Adjustable Fender (Not available with 20" rear wheels, .).....\$580
- TPSDG31  Built in Side Guard WITHOUT Fender.....STD

**ARMRESTS** (Armrests attach to built in Side Guards.)

- TPARAM2  Height Adjustable Desk Arm w/ 10" Pad (Works with Fendered Side Guard Attachment Option.).....\$430
- TPARAM31  Height Adjustable Armrest.....STD

**UPPER BODY POSITIONING**

- TPUBP1  Bodypoint® PivotFit™ Dynamic shoulder harness with cam buckle mounts, rear-pull .....\$270
  - Extra Small  Small
- TPUBP2  Bodypoint® Monoflex™ chest support.....\$260
  - Extra Small  Small

**PELVIC POSITIONING BELTS**

- TPBLT1  Velcro Adjustable, black nylon webbing seat belt.....\$70
- TPBLT8  Q'Straint® WC-19 Wheelchair-Anchored Pelvic Belt (Recommended for use with Transit Tie Down.).....\$200
- TPBLT30  Bodypoint® 1" wide two-point padded hip belt with swivel buckle.....\$230
- TPBLT16  Bodypoint® 1" wide Evoflex® belt with small push-button buckle.....\$240

**LOWER BODY POSITIONING**

- TPCLF15  Bodypoint® Ankle Huggers®.....\$290
  - Extra Small  Small

**ANTI-TIPS**

- TPTIP1  Rear Aluminum - Black.....\$200
- TPTIP7  Single Anti-tip.....\$160
  - Mounting Location:  Right Side  Left Side

**BACKPACK**

- TPBCK3  Black Permobil Backpack.....\$95

**SPOKE GUARDS**

- TPGRD30  Clear polycarbonate spoke guard with TiLite Pilot sticker pack (Not available with Mag Rear Wheels.).....\$135

**ACCESSORIES**

- TPGS1  GRIP Solutions Lap Board (Lap board dimensions are 11" X 14").....\$55
- TPCH1  Crutch Holder.....\$145

## GENERAL

More options and frame modifications may be available through our Creative Mobility Division! Please contact customer service for details or [click here to view options](#).

Permobil manufactures TiLite manual wheelchairs in a wide variety of configurations to meet the varied needs of wheelchair users. The final selection of a particular model, its options and accessories, and its measurements rests solely with the wheelchair user and advising healthcare professional. These wheelchairs must be fitted by a qualified healthcare professional.

Get the latest order forms at [permobilus.com](http://permobilus.com). Prices, standard features, options and accessories are subject to change without notice. All rights reserved. Trademarks are identified by symbols™ and ®. TiLite, TiFit, the TiLite logo, Ti, the Ti logo, and TiShaft are registered trademarks of TiSport, LLC and are licensed to Permobil. Permobil® is a registered trademark of Permobil. Adobe®, Acrobat®, Acrobat Professional® and Reader® are registered trademarks of Adobe Systems Inc. Bodypoint® is a registered trademark of Bodypoint Inc. Kenda® is a registered trademark of Kenda Rubber Industrial Co. Ltd. ROHO®, AGILITY®, Low Profile® and Quadro Select® are registered trademarks of ROHO Inc. Schwalbe® is a registered trademark of Ralf Bohle GmbH. The Natural-Fit® and Out-Front® are registered trademarks of Three Rivers Holdings, LLC. The ACTA-BACK®, ACTA-EMBRACE™, COMFORT-TEK™, COMPASS®, CURVE®, ELEMENTS®, and STRETCH AIR™ are registered trademarks of THE COMFORT COMPANY® and are licensed to Permobil. Q'Straint® is a registered trademark of Q'Straint Inc.

## NOTES

---



---

<b>QUOTE THIS CHAIR</b>	If you are using Adobe Acrobat, this order form may be converted into a quote request or into an order by clicking one of the buttons (this feature is available exclusively to Permobil dealers and distributors). A Quote or an Order Confirmation will be sent to you within 24 hours.	<b>ORDER THIS CHAIR</b>
-------------------------	---	-------------------------