

# TiLite X-Series Canadian Order Form

Effective February 21, 2020 (New Items in Red)

FOLDING FRAME

Page 1 of 7

DEALER INFORMATION		RTS INFORMATION	
Dealer:	Account #:	RTS:	Phone:
PO:	Ordered By:	Email:	
Email:		SHIP TO INFORMATION	
Mark For:	User Weight:	Name:	Ship Via:
TiLite Sales Rep:		Address:	
<b>TiLite Information:</b>	Promo Code:	City:	Province: Postal Code:
Ship Date:	Order #:	Phone:	Fax:

More options and frame modifications may be available through our Creative Mobility Division! Please contact customer service for details or [click here](#) to view options.

**Please Email or Fax to the Permobil Manual Customer Service Team at [tilitesales@permobil.com](mailto:tilitesales@permobil.com) or 866.586.2413 / 509.586.2413**

## FRAME STYLE

- AXFS1  **Aero X2 Aluminum Frame** (Full Adjustability. 265 (120.2kg) Pound Weight Limit.).....**\$2,965**
- GXFS4  **2GX2 Titanium Frame** (Full Adjustability. 265 (120.2kg) Pound Weight Limit. Light Weight, High Strength and Vibration Dampening. Not Available with Frame Transit Tie-Down.).....**\$4,830**
- XFS1  **Swing Away**.....**STD**
- XFS3  **Hemi Height Frame** (Available with a Front Seat Height of 13.5" - 20" (34.3-50.8cm). Not Available with Depth Adjustable Back/Frame, 12" or 13" (30.5cm or 33cm) Seat Depth or Heavy Duty Frame.).....**NCO**
- XFS2  **Fixed Front**.....**NCO**
- XHDR1  **Heavy Duty Frame (350 (158.75kg) Pound Weight Limit.** Includes Tension Adjustable by Straps Back Upholstery. Available with 18" to 22" (45.7 to 55.9cm) Seat Widths & 16" to 20" (40.6 to 50.8cm) Seat Depths. Not Available with 90° front end) **\$550**
- XRFR1  **Reinforced Frame** (No charge when 20" (50.8cm) Rear Seat Width and 20" (50.8cm) Seat Depth are selected.).....**\$400**

## TRANSIT OPTIONS

(Please refer to the Aero X2 Transit Tie-Down Option Brochure for important information regarding the Transit Tie-Down Options.)

- XTTDO1  **Aluminum Frame Transit Tie-Down** (Consists of four Tie-Down Brackets. Not Available with 2GX2, Heavy Duty Frame, Hemi Height Frame, Swing Away Tubular Armrests or Swing Away-Flip Back Tubular Armrests. Requires a Folding Stabilizer Bar unless a Depth Adjustable Backrest is selected. Requires minimum seat depth of 14" (35.6cm)).....**\$445**
- XWTB  **Transport Bracket Option** (Consists of four Tie-Down Brackets. Unoccupied Use Only.) (Not Available when Swing Away frame and Heavy Duty Frame are both selected. Not available with Swing Away Tubular Armrest or Swing Away-Flip Back Tubular Armrests. Requires a minimum seat depth of 14" (35.6cm) or 15" (38.1cm) seat Depth with Hemi Height Frame.).....**\$385**

## FRAME FINISHES

### Natural Finishes

- XFF1  **Satin** (Available with Titanium Frame only.).....**STD**
- XSCBT1  **Satin Finish Buffing Pads**.....**\$20**
- XFF3  **Tattoos** (Tattoos on front frame tubes. Titanium frame finished in Satin Aluminum frame finished in blasted aluminum with clear coat. Tattoos will be trimmed and adjusted to fit your frame.).....**\$335**

XFF45  **Need For Speed**



XFF44  **Flower Garden**



XFF43  **Mosaic**



### High Gloss Paint

### Metallic Paint

### Pearlescent Paint

### Matte Paint

### Candy Paint

### Textured Matte Paint

XFF8  **Super Wet Black**

XFF14  **Ocean Blue Metallic**

XFF17  **Midnight Blue Pearl**

XFF19  **Black Lava**

XFF22  **Ruby Red**

XFF40  **Hyper Blue**

XFF10  **TiLite Red**

XFF15  **Tangerine Metallic**

XFF18  **White Pearl**

XFF27  **Titanium Grey**

XFF23  **Azure Blue**

XFF41  **Flame Orange**

XFF29  **Neon Pink**

XFF30  **Acid Green Metallic**

XFF25  **Electric Plum**

XFF42  **OD Green**.....**STD**



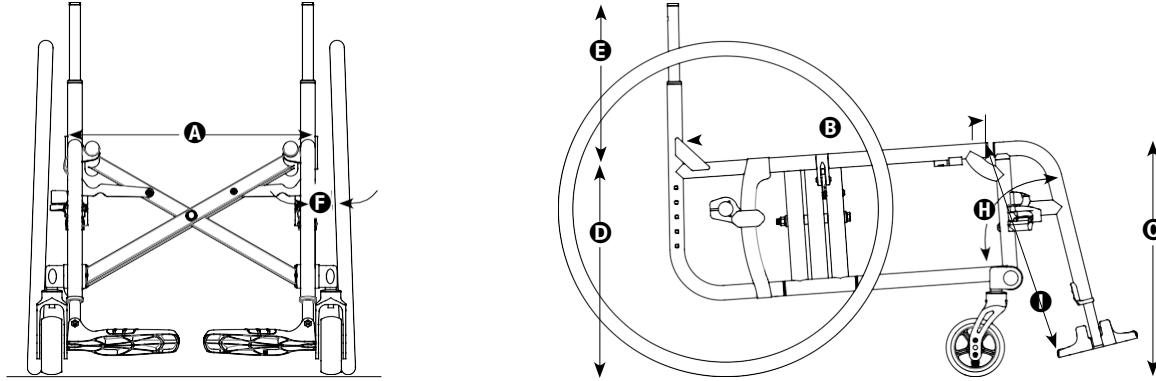
Permobil.com

2701 West Court Street | Pasco, Washington 99301  
509.586.6117 Tel | 800.545.2266 Toll-Free  
509.586.2413 Fax | 866.586.2413 Toll-Free Fax

OF0028c\_X\_Series\_0419RevN

# TiLite X-Series Canadian Order Form

## FRAME MEASUREMENTS



**SEAT WIDTH A** Measure from outside of seat tube at back post to the outside of the opposite seat tube at back post.

- XSW1  12" (30.5cm)  13" (33cm)  14" (35.6cm)  15" (38.1cm)  16" (40.6cm)  17" (43.2cm)  
 18" (45.7cm)  19" (48.3cm).....**STD**  
 XSW2  20" (50.8cm)  21" (53.3cm)  22" (55.9cm) (21" (46cm) and 22" (56cm) Seat Widths A are only available with Heavy Duty Frame.) .....**\$495**

**SEAT DEPTH B** Measure from 1/2" (1cm) in front of back post to the front edge of seat sling. (12"-14" (30-35.6cm) Seat Depths B not available with 25" and 26" Rear Wheels.)

- XSD1  12" (30.5cm)  13" (33cm)  14" (35.6cm)  15" (38.1cm)  16" (40.6cm)  17" (43.2cm)  
 18" (45.7cm)  19" (48.3cm).....**STD**  
 XSD2  20" (50.8cm).....**\$540**  
 XSD3  Custom Frame Depth: \_\_\_\_\_" Frame Depth Longer Than Seat Depth (Use 1" (2.5cm) increments with a maximum of 2" (5.1cm). A Custom Frame Depth with a maximum of 20" (50.8cm) is additional charge.).....**NCO**

**FRONT SEAT HEIGHT C** Measure from floor to top of seat tube at front edge of seat sling Adjustable in 1/2" (1.3cm) increments. (13.5" - 14" (34.3-35.6cm) Front Seat Height C requires Hemi Height Frame Style. 20.5" - 21" (52.1-53.3cm) Front Seat Height C not available with Hemi Height Frame Style.

### FRONT SEAT HEIGHT RANGES

Front Wheel Size	Front Seat Heights C	Hemi Front Seat Heights C	XFSH1
3" Front Wheel	14.5" - 18.5" (36.8-47cm)	13.5" - 17.5" (34.3-44.5cm)	<input type="checkbox"/> 13.5" (34.3cm) <input type="checkbox"/> 14" (35.6cm) <input type="checkbox"/> 14.5" (36.8cm)
3" Front Wheel w/Glide™	16.0" - 17.5" (40.6-44.5cm)	15.0" - 17.0" (38.1-43.2cm)	<input type="checkbox"/> 15" (38.1cm) <input type="checkbox"/> 15.5" (39.4cm) <input type="checkbox"/> 16" (40.6cm)
4" Front Wheel	15.5" - 19.0" (39.4-48.3cm)	14.5" - 18.0" (36.8-45.7cm)	<input type="checkbox"/> 16.5" (41.9cm) <input type="checkbox"/> 17" (43.2cm) <input type="checkbox"/> 17.5" (44.5cm)
4" Front Wheel w/Glide™	16.5" - 18.0" (41.9-45.7cm)	15.5" - 17" (39.4-43.2cm)	<input type="checkbox"/> 18" (45.7cm) <input type="checkbox"/> 18.5" (47cm) <input type="checkbox"/> 19" (48.3cm)
5" Front Wheel	16.5" - 19.5" (41.9-49.5cm)	16.0" - 18.5" (40.6-47cm)	<input type="checkbox"/> 19.5" (49.5cm) <input type="checkbox"/> 20" (50.8cm) <input type="checkbox"/> 20.5" (52.1cm)
5" Front Wheel w/Glide™	17.5" - 18.5" (44.5-47cm)	16.5" - 18.0" (41.9-45.7cm)	<input type="checkbox"/> 21" (53.3cm)..... <b>STD</b>
6" Front Wheel	17.5" - 20.0" (44.5-50.8cm)	16.5" - 19.0" (41.9-48.3cm)	
6" Front Wheel w/Glide™	19.0" (48.3cm)	17.5" - 18" (44.5-45.7cm)	
8" Front Wheel	19.5" - 21.0" (49.5-53.3cm)	18.5" - 19.5" (47-50.8cm)	

**REAR SEAT HEIGHT D** Measure from floor to top of seat tube at back post. Adjustable in 3/8" increments.

### REAR SEAT HEIGHT RANGES

Rear Wheel Size	Rear Seat Height D	XRSH1
22"	13" - 18" (33-45.7cm)	<input type="checkbox"/> 13" (33cm) <input type="checkbox"/> 13.5" (34.3cm) <input type="checkbox"/> 14" (35.6cm)
24"	14" - 19" (35.6-48.3cm)	<input type="checkbox"/> 14.5" (36.8cm) <input type="checkbox"/> 15" (38.1cm) <input type="checkbox"/> 15.5" (39.4cm)
25"	14" - 19" (35.6-48.3cm)	<input type="checkbox"/> 16" (40.6cm) <input type="checkbox"/> 16.5" (41.9cm) <input type="checkbox"/> 17" (43.2cm)
26"	15" - 20" (38.1-50.8cm)	<input type="checkbox"/> 17.5" (44.5cm) <input type="checkbox"/> 18" (45.7cm) <input type="checkbox"/> 18.5" (47cm)
		<input type="checkbox"/> 19" (48.3cm) <input type="checkbox"/> 19.5" (49.5cm) <input type="checkbox"/> 20" (50.8cm) <b>STD</b>

## BACK SUPPORTS

SSH3 Back Support Installation  Install Back OR  Do Not Install Back.....**NCO**

**ROHO® AGILITY® BACK SUPPORT MIN CONTOUR** (Comes standard with quick release hardware.)

- Shell Height**  10"  13"  16"  18"  
 BRS5  Foam.....**\$785**  
 BRS6  Foam + Lumbar.....**\$940**  
 BRS7  Foam w/ Air Insert.....**\$1095**  
 BRS8  Foam w/ Air Insert + Lumbar.....**\$1095**

**ROHO® AGILITY® BACK SUPPORT MID CONTOUR** (Comes standard with quick release hardware.)

- Shell Height**  10"  13"  16"  18"  
 BRS9  Foam w/ Air Insert.....**\$1095**  
 BRS10  Foam w/ Air Insert + Lumbar.....**\$1095**

# TiLite X-Series Canadian Order Form

## BACK SUPPORTS

### COMFORT ACTA-EMBRACE™

- Shell Height**  10"  12"  14"  16"  
**SBR516**  Acta-Embrace Back with 2-PT Quick Release Compass Hardware.....\$775  
**CPSB1**  Comfort Privacy Shield.....\$55

### COMFORT ACTA-RELIEF

- Shell Height**  10"  12"  14"  16"  
**SBR513**  Acta-Relief Back with 2-PT Quick Release Compass Hardware.....\$945  
**CPSB1**  Comfort Privacy Shield.....\$55

## SEAT BACK HEIGHT ③/SEAT BACK/PUSH HANDLES Measure from top of back post to top of seat tube at rear of frame.

### SEAT BACK TYPE

- XSB20**  Fixed Angle, Adjustable-Height Seat Back.....**STD**  
**XLB1**  Folding Stabilizer Bar (Required with Transit Tie-Down Option unless Depth Adjustable Backrest is selected. Includes Tension Adjustable by Strap Back Upholstery.).....**\$390**  
**XSB14**  Fixed Angle, Adjustable Height Seat Back w/8-Degree Bend. (Not available with Heavy Duty Frame.).....**NCO**  
**XSB18**  Folding Adjustable-Angle and Height Seat Back Not Available with Hemi Height Frame, Heavy Duty Frame, 19" or 20" (48.3 or 50.8cm) Seat Depths ③ or Swing Away Tubular Armrest. Seat Depths ③ of 12"-17" (30.5-43.2cm) allow 3" (7.6cm) of rearward adjustment. Seat Depth ③ of 18" (45.7cm) allow 2" (5.1cm) of rearward adjustment. Requires Tension Adjustable Seat Upholstery.....**\$230**  
**XSB16**  Depth Adjustable Back/Frame (Not Available with Hemi Height Frame, Heavy Duty Frame, 19" or 20" (48.3 or 50.8cm) Seat Depths ③, Swing Away Tubular or Swing Away Flip-Back Armrest. Seat Depths ③ of 12"-17" (30.5-43.2cm) allow 3" (7.6cm) of rearward adjustment. Seat Depth ③ of 18" (46cm) allow 2" (5cm) of rearward adjustment. Requires Tension Adjustable Seat Upholstery.).....**NCO**

### PUSH HANDLES

- XSB6**  Integrated Push Handles.....**NCO**  
**XSB7**  Integrated Fold-Down Push Handles (Requires Tension Adjustable by Straps Back Upholstery. Not available with Heavy Duty Frame.).....**\$115**  
**XSB9**  Bolt-On Height Adjustable Push Handles (Requires Tension Adjustable by Straps Back Upholstery. Not available with Heavy Duty Frame, Folding Adjustable-Angle and Height Seat Back, Swing Away Tubular Armrests, Swing Away - Flip Back Tubular Armrests or Ride Designs® Corbac™.).....**\$410**

## FRAME MEASUREMENTS

**XSB20/XSB14 FIXED ANGLE ADJUSTABLE SEAT BACK HEIGHT ③** (11"- 15" Fixed Seat Back Height not available with Heavy Duty Frame, Swing Away Tubular Arms 12"-15"; Bolt-On Adjustable Height Push Handles or Folding Stabilizer Bar.)

Push Handles (Selected Above)	Short	Tall	Set at: (Use 1" increments)
None	<input type="checkbox"/> 11"- 15" (27.9-38.1cm)	<input type="checkbox"/> 16"- 20" (40.6-50.8cm)	Set at: _____
Integrated	<input type="checkbox"/> 11"- 15" (27.9-38.1cm)	<input type="checkbox"/> 16"- 20" (40.6-50.8cm)	Set at: _____
Integrated Fold-Down	<input type="checkbox"/> 11"- 15" (27.9-38.1cm)	<input type="checkbox"/> 16"- 20" (40.6-50.8cm)	Set at: _____
Bolt-On Height Adj.		<input type="checkbox"/> 16"- 20" (40.6-50.8cm)	Set at: _____

**XSB18 FOLDING ADJUSTABLE- ANGLE AND HEIGHT SEAT BACK ③** (Not available with a Folding Stabilizer Bar or Heavy Duty Frame.)

Push Handles (Selected Above)	Short	Medium	Tall	Set at: (Use .5" increments)
None	<input type="checkbox"/> 11"- 13" (27.9-33cm)	<input type="checkbox"/> 13.5"- 16.5" (34.3-41.9cm)	<input type="checkbox"/> 16.5"- 19.5" (41.9-49.5cm)	Set at: _____
Integrated	<input type="checkbox"/> 12.5"- 14.5" (31.8-36.8cm)	<input type="checkbox"/> 13.5"- 16.5" (34.3-41.9cm)	<input type="checkbox"/> 17"- 19.5" (43.2-50.8cm)	Set at: _____
Integrated Fold-Down	<input type="checkbox"/> 15"- 17" (38.1-42cm)	<input type="checkbox"/> 16"- 19" (40.6-48.3cm)	<input type="checkbox"/> 18.5"- 20.5" (47-52.1cm)	Set at: _____

### CAMBER ④

- XCBR8**  0°  2°  4°  6°.....**STD**

**FRONT ANGLE ⑤** Front Angle ⑤ is measured from inside of front frame tube to top of bottom frame tube.

### Swing Away Front End

- XFA3**  70°  80°  85° (Not available with 6" Front Wheels.)  90° (Requires aluminum footplate. Not available with Heavy Duty Frame, 5" or 6" Front Wheels.).....**STD**  
**XFA0**  Omit Hangers.....**NCO**

### Fixed Front End

- XFA6**  70°  80°  85° (85° Not available with 6" Front Wheels.).....**STD**

**SEAT TO FOOTREST ⑥/FOOTRESTS** Measure from front edge of seat sling to top rear of footrest.

If your Front Angle ⑤ is 70°, 80° OR 85° select one Seat to Footrest ⑥ length and one Footrest type:

**Standard Footrests** Measurement must be at least 2" shorter than Front Seat Height ⑥. 70° Fixed Front has a minimum seat to footrest of 14.5"

- 14" (35.6cm)  14.5" (36.8cm)  15" (38.1cm)  15.5" (39.4cm)  16" (40.6cm)  16.5" (41.9cm)  
 17" (43.2cm)  17.5" (44.5cm)  18" (45.7cm)  18.5" (47cm)  19" (48.3cm)  19.5" (49.5cm)  20" (50.8cm)  
**XFTR5**  Flip-up Footrest.....**STD**  
**XFTR9**  Depth Adjustable Flip-up Footrest.....**\$110**  
**XFTR10**  Depth & Angle Adjustable Flip-up Footrest (Available for 15"- 20" (38.1-50.8cm) Seat to Footrest ⑥ only.).....**\$270**  
**XFTR11**  Angle Adjustable Flip-up Footrest (Available for 15"- 20" (38.1-50.8cm) Seat to Footrest ⑥ only.).....**\$235**

# TiLite X-Series Canadian Order Form

## FRAME MEASUREMENTS

### High Mount Footrests (Not Available with Luggage Carriers, or Impact Guards)

- 7" (17.8cm)    7.5" (19.1cm)    8" (20.3cm)    8.5" (21.6cm)    9" (22.9cm)    9.5" (24.1cm)
- 10" (25.4cm)    10.5" (26.7cm)    11" (27.9cm)    11.5" (29.2cm)    12" (30.5cm)    12.5" (31.8cm)
- 13" (33cm)    13.5" (34.3cm)    14" (35.6cm)    14.5" (36.8cm)

- XFTR20  High Mount Flip-up.....\$190
- XFTR15  Angle Adjustable High Mount Flip-up Footrest.....\$325
- XFTR16  Depth & Angle Adjustable High Mount Flip-up Footrest.....\$375

### If your Front Angle **Ⓜ** is 90°, select one Seat to Footrest **Ⓜ** length and one Footrest type:

- 7" (17.8cm)    8" (20.3cm)    9" (22.9cm)    10" (25.4cm)    11" (27.9cm)    12" (30.5cm)    13" (33cm)

- XFTR5  Flip-up Footrest.....STD
- XFTR9  Depth Adjustable Flip-up Footrest.....\$110
- XFTR10  Depth & Angle Adjustable Flip-up Footrest.....\$270
- XHLP1  Heel Loops (Not available with 13" (33cm) or narrower Seat Width **Ⓜ** or 1-Piece Footrests.).....\$60

## CUSTOM CONFIGURATION OPTIONS

### FRONT WHEELS (See Front Seat Height Ranges Chart on Page 2 for Front Seat Height **Ⓜ** limitations.)

- XFW24  3"x1.5" LiteSpeed Billet Aluminum Wheel w/Soft Roll Tire    Silver Hub **OR**  Black Hub.....\$180
- XFW14  4"x.75" Plastic Wheel w/Poly Tire (Not available with Power Adaptable Frame, Heavy Duty Frame or Glide™ Single-Sided Suspension Fork.).....NCO
- XFW3  4"x.75" Light-Up Micro-Caster (Not available with Power Adaptable Frame, Heavy Duty Frame or Glide™ Single-Sided Suspension Fork.).....\$80
- XFW26  4"x1.5" LiteSpeed Plastic Wheel w/Soft Roll Tire (Not available with Power Assist, Power Add-on System or Heavy Duty Frame.).....\$95
- XFW27  4"x1.5" LiteSpeed Billet Aluminum Wheel w/Soft Roll Tire    Silver Hub **OR**  Black Hub.....\$190
- XFW6  5"x1" Plastic Wheel w/Poly Tire (Not available with Heavy Duty Frame or with 90° Front Angle **Ⓜ** or Glide™ Single-Sided Suspension Fork.).....NCO
- XFW28  5"x1.5" LiteSpeed Plastic Wheel w/Soft Roll Tire (Not available with Heavy Duty Frame or 90° Front Angle **Ⓜ**.).....\$95
- XFW30  5"x1.5" LiteSpeed Billet Aluminum Wheel w/Soft Roll Tire    Silver Hub **OR**  Black Hub (Not available with 90° Front Angle **Ⓜ**.).....\$250
- XFW9  6"x1" Plastic Wheel w/Poly Tire (Not available with Power Adaptable Frame, Heavy Duty Frame or 85° or 90° Front Angle **Ⓜ** or Glide™ Single-Sided Suspension Fork.).....NCO
- XFW32  6"x1.5" LiteSpeed Plastic Wheel w/Soft Roll Tire (Not available with Power Adaptable Frame, Heavy Duty Frame, 85° or 90° Front Angle **Ⓜ**, or Glide™ Single-Sided Fork.).....\$100
- XFW33  6"x1.5" LiteSpeed Billet Aluminum Wheel w/Soft Roll Tire    Silver Hub **OR**  Black Hub (Not available with 85° or 90° Front Angle **Ⓜ** or Glide™ Single-Sided Suspension Fork.).....\$250
- X2FW16  8"x1" Plastic Wheel w/Poly Tire (Not available with Power Assist, Power Add-on, Heavy Duty Frame or Glide™ Single-Sided Available with 70° Front Angle **Ⓜ** only.) (Not available with 12"-14" Seat Depths).....NCO

### FRONT FORKS

- XFK1  TiLite Standard Fork.....STD
- XGL1  Out-Front Glide™ Suspension Fork (Available in Black anodize only. Not available with 8" Front Wheels or Heavy Duty Frame).....\$545  
Rider's Weight:    125 lbs. (56.69kg)    125-180 lbs.(56.69-81.64kg)    180-265 lbs. (81.64-120.2kg)

### ONE ARM DRIVE

- XOAD1  One Arm Drive (Available with 24" Mag Wheels only. Rear Seat Height, Camber or axle restrictions may apply.).....\$1,560  
Drive Handrim Side (Available with standard aluminum handrim only.)  
 Install on Left    Install on Right

### REAR WHEELS (See Rear Seat Height Ranges Chart on Page 2 for Rear Seat Height **Ⓜ** limitations.)

- XRW14 TiLite SHADOW™.....STD
  - 22"(501)
  - 24"(540)
  - 25"(559) (Requires 15" (38.1cm) minimum Seat Depth **Ⓜ**.)
  - 26"(590) (Requires 15" (38.1cm) minimum Seat Depth **Ⓜ**.)
- XRW7 Spinergy SPOX    Black    Red    Blue    White.....\$900
  - 22"(501) - Std. Hub
  - 24"(540) - Std. Hub
  - 25"(559) - Std. Hub (Requires 15" (38.1cm) minimum Seat Depth **Ⓜ**.)
  - 26"(590) - Sport Hub (Requires 15" (38.1cm) minimum Seat Depth **Ⓜ**. Not available with Quad Release Axles.)
- XRW8 Spinergy LX (Only available with Heavy Duty Frame when 0 or 2 degree camber is selected.)    Black    Red    Blue  
 White    Bright Orange    Flamingo Pink    Purple.....\$1,055
  - 22"(501) - Std. Hub
  - 24"(540) - Std. Hub
  - 25"(559) - Std. Hub (Requires 15" (38.1cm) minimum Seat Depth **Ⓜ**.)
  - 26"(590) - Sport Hub (Requires 15" (38.1cm) minimum Seat Depth **Ⓜ**. Not available with Quad Release Axles.)
- XRW16 Spinergy Carbon Blade (Not available with Heavy Duty Frame.).....\$1,540
  - 24"(540)
  - 25"(559) (Requires 15" (38.1cm) minimum Seat Depth **Ⓜ**.)

# TiLite X-Series Canadian Order Form

Effective February 21, 2020 (New Items in Red)

FOLDING FRAME

Page 5 of 7

## CUSTOM CONFIGURATION OPTIONS

XRW17 X-Core Mag (Not available with Heavy Duty Frame, Short Tabs, Quad Release Axles, Spoke Guards or Omit Handrims Option Requires Aluminum Silver Anodized Handrims) ..... **NCO**  
 22"(501)  
 24"(540)

### AXLES

XAXL1  Stainless Quick Release ..... **STD**  
 XAXL2  Titanium Quick Release ..... **\$290**  
 XAXL3  Quad Release (Not available with Mag or 26"(590) Spinergy Spox or Spinergy LX Rear Wheels.) ..... **\$170**

### PNEUMATIC REAR TIRES

XRTR1  Treaded (Not available with 25"(559) Rear Wheels.) ..... **STD**  
     XRTR2  Airless Inserts ..... **\$90**  
 XRTR3  25"(559) Primo Treaded (Standard with 25"(559) Rear Wheels.) ..... **STD**  
 XRTR4  Primo ..... **NCO**  
 XRTR30  24"(540), 25"(559) and 26"(590) Primo Sentinel ..... **\$160**  
 XRTR8  24"(540), 25"(559) and 26"(590) Schwalbe® Marathon Plus Evolution ..... **\$155**  
 XRTR9  24"(540) and 25"(559) Schwalbe® Slick Tires ..... **\$150**  
 XRTR24  24"(540) Kenda Kobra Knobby Tires ..... **\$95**

### SOLID REAR TIRES

XRTR22  22"(501), 24"(540) and 25"(559) Primo Express (Not available with Spinergy Carbon Blade Rear Wheels.) ..... **\$110**  
 XRTR23  24"(540) and 25"(559) Primo Active ..... **\$135**

### HANDRIMS

XRIM1  Aluminum – Silver Anodized ..... **STD**  
 XRIM21  Aluminum – Black Anodized ..... **\$60**  
 XRIM12  Titanium – Satin Finish (Not available with 20"(451) or 22"(501) Rear Wheels, or 24"(540) Knobby tires.) ..... **\$490**

### Handrims by OUT-FRONT®

The Natural-Fit® (Original, Larger Profile)  
 XRIM14  Standard Grip (Not available with Short Tabs or Spinergy Carbon Blade Rear Wheels.) ..... **\$415**  
 XRIM15  Super Grip (Not available with Short Tabs or Spinergy Carbon Blade Rear Wheels.) ..... **\$470**  
 XRIM16  Without Thumb Grip ..... **\$380**  
 The Natural-Fit® LT (Reduced Weight, Smaller Profile)  
 XRIM17  Standard Grip (Not available with Short Tabs or Spinergy Carbon Blade Rear Wheels.) ..... **\$500**  
 XRIM18  Super Grip (Not available with Short Tabs or Spinergy Carbon Blade Rear Wheels.) ..... **\$535**  
 XRIM19  Without Thumb Grip ..... **\$460**  
 XRIM10  The Surge (All-In-One Oval with Gription™ Strip, Larger Profile) ..... **\$435**  
 XRIM11  The Surge LT (All-In-One Oval with Gription™ Strip, Smaller Profile) ..... **\$470**  
 XRIM20  Q-Grip (Exclusive High-Friction, Anti-Slip Coating) ..... **\$375**

### Additional Handrim Options

XRIM5  Plastic Coated – Black ..... **\$160**  
 XRIM22  Omit Handrims ..... **NCO**

### Tab Length

XRIM7  Long Tabs ..... **STD**  
 XRIM8  Short Tabs (Not available with Mag Rear Wheels or The Natural-Fit® Handrims with Thumb Grip.) ..... **\$35**

### WHEEL LOCKS

**Wheel Locks by OUT-FRONT®** (Composite wheel locks not always compatible with 12"-13" (30-33cm) Seat Depth. Uni-locks will be substituted at no charge.)

XWLK7  Compact Composite Push to Lock ..... **NCO**  
 XWLK8  Compact Composite Pull to Lock ..... **NCO**  
     XWLK10  Extension Handles for Compact Composite Push/Pull to Lock ..... **\$85**  
 XWLK9  Composite Scissor Lock (Not available on Aero X2 Swing Away.) ..... **\$175**

### Additional Wheel Locks

XWLK3 Uni-Lock Set At:  Push **OR**  Pull ..... **\$165**  
     XWLK4  Extension Handles for Uni-Lock ..... **\$85**  
 XWLK15  Grade Aids Push to Lock (Not available with solid rear tires) ..... **\$230**

### BACK UPHOLSTERY

XBUP1  Padded Nylon (Black Only. Not available with Heavy Duty Frame, Folding Back, Folding Stabilizer Bar, Depth Adjustable Frame, Fold-Down Push Handles or Ultrasuede Backrest Stripe.) ..... **STD**  
 Tension Adjustable by Straps (Included with Heavy Duty Frame. Required with Aluminum Fendered Side Guards and Fold-Down Push Handles.)  
     XBUP3  Padded Nylon ..... **\$415**  
     XBUP5  AIR Breathable Upholstery (Not available with Ultrasuede Backrest Stripe.) ..... **\$400**  
 XUPC3 Ultrasuede Backrest Stripe  Black (Not available with Padded Nylon or AIR Breathable Back Upholstery.) ..... **\$105**  
 XBUP0  Omit Back Upholstery ..... **NCO**

### SEAT UPHOLSTERY

XSUP4  Tension Adjustable (Black only) ..... **STD**  
 XSUP0  Omit Seat Upholstery ..... **NCO**



# TiLite X-Series Canadian Order Form

Effective February 21, 2020 (New Items in Red)

FOLDING FRAME

Page 6 of 7

## CUSTOM CONFIGURATION OPTIONS

### SEAT CUSHION

- XCSH2  Comfort Curve Cushion.....\$155  
**XCSH23  Comfort Acta-Embrace™ Comfort-Tek Zero Elevation Cushion.....\$470**  
**XCSH14  ROHO Hybrid Elite SR Single Compartment (Fits seat widths 14" to 19").....\$745**  
**XCSH4  ROHO Quadtro Select (Fits seat widths 14" to 19") Profile:  Low  Mid  High.....\$720**

### SIDE GUARDS

#### Aluminum

- XSDG2  Rigid Removable  Small **OR**  Std.....\$290  
 XSDG3  Quad Removable w/Hole  Small **OR**  Std.....\$315  
 XSDG6  Fendered Adjustable (Requires Tension Adjustable by Straps Back Upholstery. Not available with Angle-Adjustable Fold-Down Seat Backs.).....\$400

#### Carbon Fiber

- XSDG7  Rigid Removable  Small **OR**  Std.....\$340  
 XSDG8  Quad Removable w/Hole  Small **OR**  Std.....\$375  
 XSDG11  Fendered Adjustable (Requires Tension Adjustable by Straps Back Upholstery. Not available with Angle-Adjustable Fold-Down Seat Backs.).....\$565

### ARMRESTS (Desk Arms come with built-in Side Guards.)

- XARM1 Swing Away Tubular (Not available with Heavy Duty Frame, Folding Stabilizer Bar with Short or Medium Seat Back Height ranges or Depth Adjustable Back.).....\$260  
 9" - 12" (22.9 to 30.5cm) **OR**  12" - 15" (30.5 to 38.1cm)  
 XARM4  Swing Away - Flip Back Tubular (Not available with Heavy Duty Frame, Folding Stabilizer Bar or Depth Adjustable Back.).....\$315  
 XARM2 Removable Height Adjustable Desk Arm with Rigid Side Guard (Requires 14" minimum Seat Depth ⓑ.).....\$360  
 9" to 12" (22.9 to 30.5cm) **OR**  12" to 15" (30.5 to 38.1cm)  
 Standard Length Pad (10") **OR**  Full Length Pad (14")  
 XARM3 Removable Height Adjustable Desk Arm with Rigid Side Guard and Transfer Loop (Requires 16" minimum Seat Depth ⓑ.).....\$375  
 9" to 12" (22.9 to 30.5cm) **OR**  12" to 15" (30.5 to 38.1cm)  
 Standard Length Pad (10") **OR**  Full Length Pad (14")

#### Available Armrest Option

- XARM5  Covered in Black Ultrasuede (Not available with Desk Arms).....\$115

### SEAT BELTS

- XBLT1  Velcro Adjustable, Black Nylon Webbing.....\$55  
 XBLT2  Bodypoint®2" Push-Button Buckle (Auto-Style.).....\$95  
 XBLT4  Bodypoint®1" Wide Push-Button Buckle Padded (Auto-Style.) (Not available with 19" - 22" Rear Seat Widths ⓐ.).....\$170  
 XBLT5  Bodypoint®1.5" Wide Push-Button Buckle Padded (Auto-Style.) (Not available with 19" - 22" Rear Seat Widths ⓐ.).....\$170  
 XBL10  Bodypoint® Optional Band Clamp Mounting Hardware.....\$20  
 XBL15  Bodypoint® EvoFlex® Pelvic Stabilizer Swivel Buckle.....\$240  
 XBL16  Bodypoint® EvoFlex® Pelvic Stabilizer Push Button.....\$240  
 XBL17  Bodypoint® EvoFlex® Pelvic Stabilizer Rehab Latch.....\$240

### CALF STRAP

- XCLF2 Velcro Adjustable.....\$40  
 Small (Recommended for 9" - 12" (22.9-30.5cm) Footrest Widths)  
 Medium (Recommended for 11" - 15" (27.9-38.1cm) Footrest Widths)  
 Large (Recommended for 14" - 17" (35.6-43.2cm) Footrest Widths)  
 Xtra Large (Recommended for 16" - 19" (40.6-48.3cm) Footrest Widths)  
 XCLF3 Bodypoint® Padded Velcro Adjustable.....\$85  
 Medium (Recommended for 12" - 15" (30.5-38.1cm) Footrest Widths)  
 Large (Recommended for 16" - 20" (40.6-50.8cm) Footrest Widths)  
 XCLF1  Buckle Adjustable, Black Nylon Webbing.....\$30

### RESIDUAL LIMB SUPPORT

- XRSL1  Residual Limb Support (8" width x 10" length).....\$515  
 XRSL2  Residual Limb Support Pair (8" width x 10" length).....\$1,030

### BACKPACK

- XBCK3  Black Permobil Backpack.....\$95

# TiLite X-Series Canadian Order Form

Effective February 21, 2020 (New Items in Red)

FOLDING FRAME

Page 7 of 7

## CUSTOM CONFIGURATION OPTIONS

### SEAT POUCH

XPCH3 <input type="checkbox"/> Black Permobil Seat Pouch.....	\$60
XPCH4 <input type="checkbox"/> Bodypoint® Mobility Bag.....	\$130

### SPOKE GUARDS

XGRD1 <input type="checkbox"/> Clear with TiMotion Logo (Not available with MagRear Wheels.).....	\$135
---	-------

### ANTI-TIPS

XTIP1 <input type="checkbox"/> Rear Aluminum - Black.....	\$195
XTIP7 <input type="checkbox"/> Black Aluminum Single.....	\$100
Mount on <input type="checkbox"/> Left Side or <input type="checkbox"/> Right Side.....	NCO
XTIP2 <input type="checkbox"/> User Friendly Flip-up.....	\$360
XTIP8 <input type="checkbox"/> User Friendly Flip-up Single.....	\$170
Mount on <input type="checkbox"/> Left Side or <input type="checkbox"/> Right Side.....	NCO
XTIP9 <input type="checkbox"/> Tip Assist.....	\$105

### ACCESSORIES

XUEST1 Upper Extremity Support Tray <input type="checkbox"/> 12" to 14" (30.5-35.6cm) OR <input type="checkbox"/> 13" to 15" (33-38.1cm) Seat Widths <b>A</b> (Requires Armrests.).....	\$290
XLUG1 <input type="checkbox"/> Luggage Carriers (Not available with High Mount Swing Away Footrests or 1-Piece Flip-up Footrest.).....	\$145
XMPCT2 Neoprene Impact Guards with Ultrasuede Stripe (Not available with High Mount Footrests, 90° Hangers or Elevating Leg Rest.) <input type="checkbox"/> Black.....	\$105
XCH1 <input type="checkbox"/> Crutch Holder.....	\$145

## GENERAL

More options and frame modifications may be available through our Creative Mobility Division! Please contact customer service for details or [click here](#) to view options.

Permobil manufactures TiLite manual wheelchairs in a wide variety of configurations to meet the varied needs of wheelchair users. The final selection of a particular model, its options and accessories, and its measurements rests solely with the wheelchair user and advising healthcare professional. These wheelchairs must be fitted by a qualified healthcare professional. HCPCS Codes are for reference purposes only. Actual coding and coverage varies by payer. Proper HCPCS coding is not a guarantee of payment. Please verify the appropriate payer's coverage policy.

Get the latest order forms at [permobilus.com](http://permobilus.com). Prices, standard features, options and accessories are subject to change without notice. All rights reserved. Trademarks are identified by symbols™ and ®. TiLite, TiFit, the TiLite logo, Ti, the Ti logo, and TiShaft are registered trademarks of TiSport, LLC and are licensed to Permobil. Permobil® is a registered trademark of Permobil. Adobe®, Acrobat®, Acrobat Professional® and Reader® are registered trademarks of Adobe Systems Inc. Bodypoint® is a registered trademark of Bodypoint Inc. Kenda® is a registered trademark of Kenda Rubber Industrial Co. Ltd. ROHO®, AGILITY®, Low Profile® and Quadro Select® are registered trademarks of ROHO Inc. Schwalbe® is a registered trademark of Ralf Bohle GmbH. The Natural-Fit® and Out-Front® are registered trademarks of Three Rivers Holdings, LLC. The ACTA-BACK®, ACTA-EMBRACE™, COMFORT-TEK™, COMPASS®, CURVE®, ELEMENTS®, and STRETCH AIR™ are registered trademarks of THE COMFORT COMPANY® and are licensed to Permobil. Q'Straint® is a registered trademark of Q'Straint Inc.

**QUOTE THIS CHAIR**

If you are using Adobe Acrobat, this order form may be converted into a quote request or into an order by clicking one of the buttons (this feature is available exclusively to TiLite dealers and distributors). A TiLite Quote or a TiLite Order Confirmation will be sent to you within 24 hours.

**ORDER THIS CHAIR**